



# 2024 Buyer's Guide Addendum & Parts List

Featuring Expert Line® Products



---

# Addendum Table of Contents

Effective January 1, 2024

---

## Section 1.

---

### Pumps

TriStar XL .....	3
TriStar XE .....	4
Super Pump XE .....	5
MaxFlo XE .....	6

---

### Heating

HeatPro VS .....	7
Heat Pumps .....	8
Universal HC Dual Fuel Technology Gas Heater .....	9

---

### Sanitization

HydraPure UV .....	11
Genuine Hayward TurboCells .....	12
AquaRite S3 .....	13

---

### Automation

OmniPL .....	14
OmniPL Retrofit Kit .....	15
ProLogic / OmniPL Replacement Comparison .....	16

---

### Lighting

Universal ColorLogic 2.0 .....	17
Universal CrystaLogic 2.0 White LED Lights .....	18
SmartPower Transformer .....	19
J&J / Sollos Lights .....	20-38

---

### Water Features

LED WaterBowls .....	39
----------------------	----

---

## Section 2.

---

### Replacement Parts

See separate Table of Contents .....	41
--------------------------------------	----

Abbreviations: FIP – Female Iron Pipe Size; SKT – Socket (Solvent Weld - Female) Connection; MIP – Male Iron Pipe Size; SLIP – Male Pipe Stub (Solvent Weld – Male) Connection

# 2024 FINISHED GOODS



# SAVES BETTER.

Not only do our ultra-high efficiency pumps save more energy than the other guys, they're also built to save you money, time, hassle, headaches—and also energy. Did we mention they're #1 in energy efficiency?\*

INDUSTRY LEADER IN ENERGY EFFICIENCY.



TRISTAR® XE  
ULTRA-HIGH EFFICIENCY  
PUMP



Scan the code to  
learn more.

 **HAYWARD®**

We Build Better.™

\*Based on TriStar® VS 900 among in-ground pool pump ratings, per U.S. Department of Energy efficiency metrics as of October 1, 2021. Visit [hayward.com/regulations](http://hayward.com/regulations) for details. Hayward, Hayward & Design, the H logo, and TriStar are registered trademarks and We Build Better. is a trademark of Hayward Industries, Inc. © 2021 Hayward Industries, Inc.

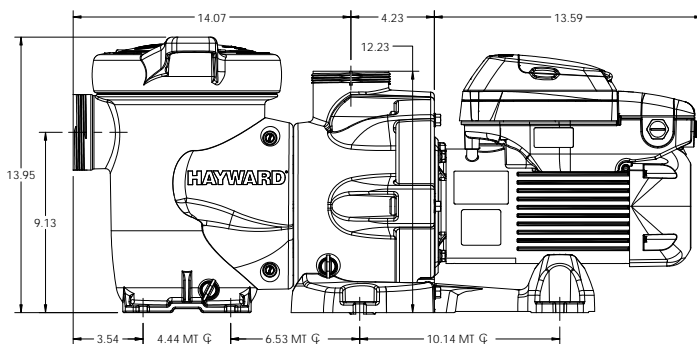
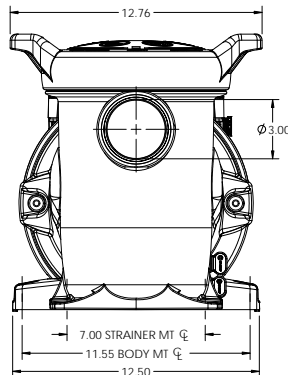


TriStar XL Pump and Strainer Basket

### TriStar XL Pump Buying Guide

Model Number	Total H.P.	WEF	Union Connections	Voltage at 60 Hz	Ctn. Qty.	Ctn. Weight
HCP3020VSP	2.7	7.2/9.9	2.5" x 3"	230/115	1	75 lbs.

### Overall Dimensions (inches)



### Powerful Design. Versatile Performance.

The TriStar XL is a game changer for large residential pools, feature-rich pools or complex pool pad configurations. Engineered for performance and versatility, the TriStar XL delivers increased flow from extra-large 3" unions, the removable strainer housing allows for more adaptable pump configurations, and the oversized strainer basket reduces cleaning and maintenance.

### Applications

- In-ground pools
- In-ground spas

### Features

- Versatile strainer housing and motor can be plumbed separate for complex pool pad configurations\*
- Removable, oversized strainer basket for reduced cleaning and maintenance
- Increased flow from included 3" unions
- 2.5" x 3" unions for easy drop-in replacement
- WEF 9.9 rating that blows the competition out of the water
- Easy pump control from digital touchscreen interface
- Remote pump control with Omni® automation to manage speed, scheduling and more
- Digital control interface that can be rotated or wall-mounted
- Totally enclosed fan-cooled (TEFC) motor maximizes energy efficiency
- Chemical-resistant Viton® seal for long-term durability
- ENERGY STAR approved – may be eligible for local utility rebates

\*Flange Kit sold separately

### Performance Data – HCP3020VSP\*

RPM	Pump Output (GPM) vs. Total Resistance to Flow (Feet of Head)					
	30 ft	40 ft	50 ft	60 ft	70 ft	80 ft
3450	182	170	151	133	109	51
3000	160	128	104	49	—	—
2400	90	21	—	—	—	—

NOTE: \*For 230V

# TriStar® XE

ULTRA-HIGH EFFICIENCY PUMPS

EXPERT LINE

Pumps



TriStar XE Pump

TriStar XE ultra-high efficiency pumps are built to deliver maximum energy savings while cutting equipment costs by more than a third. With selectable speed options, pool owners can customize their pump settings (and savings) without having to pay for more options than they need. With its easy installation, dual-voltage capability and durable design that's up to 30% lighter than competitive VS models, TriStar XE is the best way to install a pump that complies with U.S. Dept. of Energy regulations in any new or existing pool.

### Applications

- In-ground pools
- In-ground spas

## TriStar XE Pump Buying Guide

Model Number	Total H.P.	WEF	Speed Range	Voltage at 60 Hz	Ctn. Qty.	Ctn. Weight
SP3207X10XE	1.25	9.3/9.3	40–100%	230/115	1	40 lbs.
SP3210X15XE	1.85	8.5/8.4	40–100%	230/115	1	40 lbs.
SP3215X20XE	2.25	7.2/8.7	40–100%	230/115	1	41 lbs.

### Features

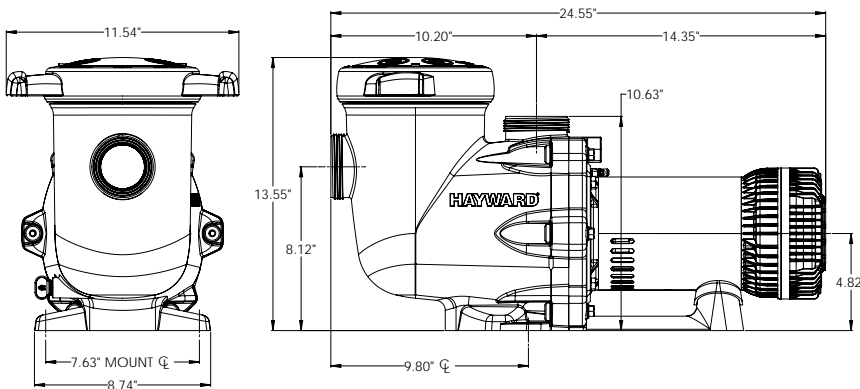
- Industry-leading efficiency exceeds DOE benchmarks and efficiency of many competitive VS pumps
- Easily programmable with up to 6 selectable speeds
- Dual-voltage capability (230V/115V) offers more versatility for installation
- Chemical-resistant Viton® seal offers improved resistance against chemical imbalances
- Simple installation includes standard 2" x 2.5" CPVC unions and doesn't require any additional equipment

### Performance Data

Model No.*	Pump Output (GPM) vs. Total Resistance to Flow (Feet of Head)						
	20 ft	30 ft	40 ft	50 ft	60 ft	70 ft	80 ft
SP3207X10XE	103	93	81	68	50	—	—
SP3210X15XE	131	124	112	98	81	57	—
SP3215X20XE	148	144	137	123	106	86	55

NOTES: \*These are 230V model numbers.

### Overall Dimensions (inches)



## EXPERT LINE

Hayward Super Pump sets the industry standard for excellence and value—and new Super Pump XE is no exception. Offering energy efficiency that outperforms Dept. of Energy standards while cutting pump equipment costs by almost a third, Super Pump XE is the just-right pump for just about any pool. With its easy installation, dual-voltage capability and durable design that's up to 30% lighter weight than competitive VS models, it's the most versatile option for unmatched value.

### Applications

- In-ground pools
- In-ground spas

### Features

- Industry-leading efficiency exceeds DOE benchmarks and efficiency of many competitive VS pumps
- Easily programmable with up to 6 selectable speeds
- Dual-voltage capability (230V/115V) offers more versatility for installation
- Chemical-resistant Viton® seal offers improved resistance against chemical imbalances
- Simple installation with up to 2" shorter length than single-speed models and no additional equipment requirements

### Performance Data

Model No.	Pump Output (GPM) vs. Total Resistance to Flow (Feet of Head)					
	20 ft	30 ft	40 ft	50 ft	60 ft	70 ft
SP2610X15XE	102	91	79	65	44	—
SP2615X20XE	120	110	98	85	69	46

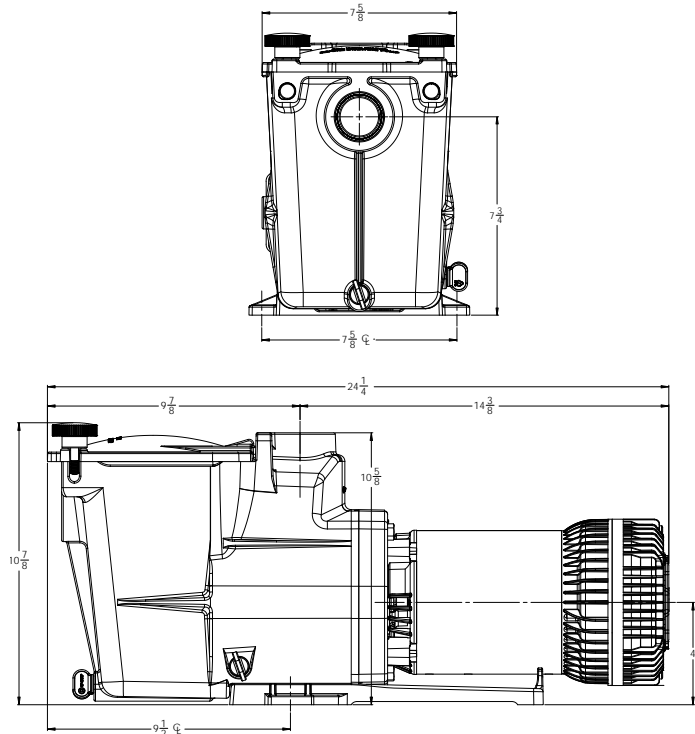


Super Pump XE

### Super Pump XE Buying Guide

Model Number	Total H.P.	Port Size	WEF	Speed Range	Voltage at 60 Hz	Ctn. Qty.	Ctn. Weight
SP2610X15XE	1.65	2"	8.3/8.3	40–100%	230/115	1	34 lbs.
SP2615X20XE	2.25	2"	8.0/7.9	40–100%	230/115	1	37 lbs.

### Overall Dimensions (inches)





MaxFlo XE

For pool owners looking for impressive energy savings in a pump that costs a lot less, MaxFlo XE ultra-high efficiency pumps are a great find. Selectable speed options create powerful cost savings without a lot of hassle. With its easy installation, dual-voltage capability and durable design that's up to 30% lighter weight than competitive VS models, MaxFlo XE is the best way to install an affordable pump that complies with Dept. of Energy regulations in any new or existing pool.

### Applications

- In-ground pools
- In-ground spas

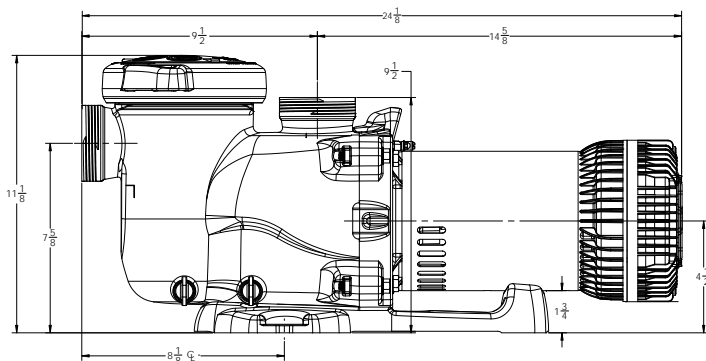
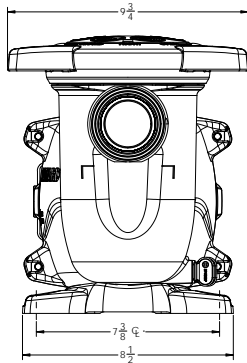
### Features

- Industry-leading efficiency exceeds DOE benchmarks and efficiency of many competitive VS pumps
- Easily programmable with up to 6 selectable speeds
- Dual-voltage capability (230V/115V) offers more versatility for installation
- Chemical-resistant Viton® seal offers improved resistance against chemical imbalances
- Simple installation with up to 2" shorter length than single-speed models, standard 1.5" x 2" unions and no additional equipment requirements

## MaxFlo XE Buying Guide

Model Number	Total H.P.	WEF	Speed Range	Voltage at 60 Hz	Ctn. Qty.	Ctn. Weight
SP2310X15XE	1.65	9.7/9.7	40–100%	230/115	1	37 lbs.
SP2315X20XE	2.25	8.4/8.7	40–100%	230/115	1	37 lbs.

### Overall Dimensions (inches)



### Performance Data

Max Rated Model No.	Pump Output (GPM) vs. Total Resistance to Flow (Feet of Head)					
	20 ft	30 ft	40 ft	50 ft	60 ft	70 ft
SP2310X15XE	81	69	55	34	—	—
SP2315X20XE	107	95	81	63	35	—



## EXPERT LINE

Engineered to be just as high-performing as our industry-leading HeatPro heat pump, the HeatPro VS heat pump leverages variable-speed technology to maximize energy and cost savings while minimizing operational noise. As the first AHRI-certified inverter-driven variable-speed heat pump in North America, it features a vertical discharge fan that allows for easy installation in any in-ground pool pad. With efficient operation in even the coldest ambient temperatures, it's the smartest way for any pool owner to get more out of their investment.

### Applications

- In-ground pools

### Features and Benefits

- Inverter-driven variable-speed technology features best-in-class part-load COP and incredibly quiet operation
- Intuitive control panel provides a seamless user experience via touchscreen digital display
- Vertical discharge fan allows for versatile installation in any in-ground pool pad
- Heat and Cool. This heat and cool heat pump, together with low ambient temperature feature, will extend the swimming season
- Soft Start driven by inverter technology, it gives customers no excessive inrush current during the starting process
- Titanium heat exchanger offers superior corrosion resistance to fight against damage and premature failure caused by unbalanced water chemistry
- AHRI certification means independent lab testing confirms product performance and value



HP50952T HeatPro VS

## Specifications & Dimensions

Model Number	HP51202T	HP50952T
<b>BTU Heating Capacity</b>		
80/80/80*	120,000	97,000
80/80/63*	112,000	92,000
50/80/63*	65,000	60,000
<b>BTU Cooling Capacity</b>		
95/90/80*	48,000	42,000
<b>Coefficient of Performance, Heating</b>		
80/80/80*	5.8	5.3
80/80/63*	5.5	5.1
50/80/63*	4.0	4.0
Compressor Speed	Variable	Variable
Fan Speed	Variable	Variable
Minimum Operating Temperature	40°F	40°F
Power Supply	208-230V/60 Hz/1 Ph	208-230V/60 Hz/1 Ph
kW Input (80/80/80)	6.1	5.4
Minimum Circuit Amps	45	43
Maximum Fuse Breaker Size	60	60
Water Flow Rate (min/max)	28/75 GPM	25/75 GPM
Water Connection	2" Socket x 2.5" Spigot Union	2" Socket x 2.5" Spigot Union
Refrigerant	R410A	R410A
Unit Dimensions	36.2" D x 33.8" W x 44.2" H	36.2" D x 33.8" W x 44.2" H
Unit Weight	286 lbs.	251 lbs.
Unit Shipping Dimensions	42.3" D x 39.2" W x 48.0" H	42.3" D x 39.2" W x 48.0" H
Unit Shipping Weight	381 lbs.	346 lbs.

\*Ambient Air Temperature/Water Temperature/Relative Humidity

# Heat Pumps

VARIABLE-SPEED AND TRADITIONAL HEAT PUMPS



HP55CLEE1 Variable-Speed Heat Pump

The high performance, energy-efficient Hayward Variable-Speed heat pumps quietly and economically maintain your ideal water temperature at all times and have up to 50% higher energy savings than traditional heat pumps. Featuring a super quiet Mitsubishi inverter compressor and variable-speed ventilation system, which provides an extremely quiet swimming environment, while maintaining the perfect pool temperature at all times.

### Applications

- In-ground pools
- Above ground pools

### Features

- Industry-leading energy efficiency with up to 50% higher energy savings than traditional heat pumps
- Soft start technology leads to lower energy consumption
- Up to 10 times quieter vs. traditional heat pumps
- Soft start technology starts at zero and slowly increases to a higher speed, leading to a stable current and lower energy consumption
- Designed to operate at low ambient temperatures to extend the swimming season earlier in the spring and later in the fall

Hayward Traditional heat pumps provide energy efficient solutions to your pool heating options. With its Quiet Technology, Hayward heat pumps heat pool water more efficiently while maintaining a quiet relaxed backyard environment. Depending on individual use and application of your pool, a heat pump may be right for you.

### Applications

- In-ground pools
- Above ground pools

### Features

- Energy efficient
- Quiet operation
- Designed to operate at low ambient temperatures to extend the swimming season earlier in the spring and later in the fall

## Variable-Speed Heat Pump Buying Guide EXPERT LINE

Model Number	BTU	Compressor	Voltage Phase	Circuit Amps	Diameter Width x Depth	Height	Weight (lbs.)
Energy Efficient Variable-Speed Heat Pumps							
HP50AEE	43,000	Rotary	208-230V	12	41 x 17"	30"	152
HP70AEE	65,000	Rotary	208-230V	17	46 x 19"	34"	160
HP55CLEE1	46,500	Rotary	208-230V	14	41 x 18"	30"	155
HP60CLEE1	57,000	Rotary	208-230V	15	41 x 18"	30"	200
HP80CLEE1	65,600	Rotary	208-230V	16	46 x 19"	34"	265

## Traditional Heat Pump Buying Guide

Model Number	BTU	Compressor	Voltage Phase	Circuit Amps	Diameter Width x Depth	Height	Weight (lbs.)
Traditional On/Off Heat Pumps							
HP50CL	45,000	Rotary	208-230V	12	41 x 18"	26"	128
HP65CL	59,100	Scroll	208-230V	15.5	38 x 14"	24"	218
HP80CL	68,400	Scroll	208-230V	17.5	44 x 18"	34"	225
HP50A1	45,000	Rotary	208-230V	12	41 x 19"	27"	128
HP70A1	72,000	Rotary	208-230V	19	48 x 19"	35"	234

Universal HC Series dual-fuel technology gas heaters are uniquely engineered for use with Hayward® plumbing adapters, making them an easy drop-in replacement for other heater brands. The heat exchanger is made from cupro nickel for added reliability, and the easy-out air/gas mixing orifice makes propane conversion fast and simple. The small footprint with zero wall clearance fits in even the most compact equipment pads, while the refined gas controls and remote connectivity provide a simple user experience with added service convenience.

### Applications

- Outdoor or indoor

### Features

- Top-access design eliminates the need to remove side panels and kneel during service
- Low NOx emissions meet clean air quality standards and offer premium heating performance
- Cupro nickel heat exchanger comes standard, protecting against water corrosion and natural wear
- Zero wall clearance ensures a seamless fit in smaller equipment pads and tight spaces
- Easy-out mixing orifice allows for easy in-field conversion between natural gas and propane
- Quick-access reversible top easily swaps plumbing from from right to left while providing access to gas shutoff, voltage selection and more, all via a single fastener
- Compact, lightweight design makes installation easy in any environment
- Integral tie-down connections on the base make for easy hand truck transport with no extra tie-down brackets required
- Patented butterfly bypass valve enables flow rates up to 125 GPM without extra accessories
- Exclusive plumbing adapters allow for simple drop-in replacement with no pipe cutting required

\*Among leading competitive brands

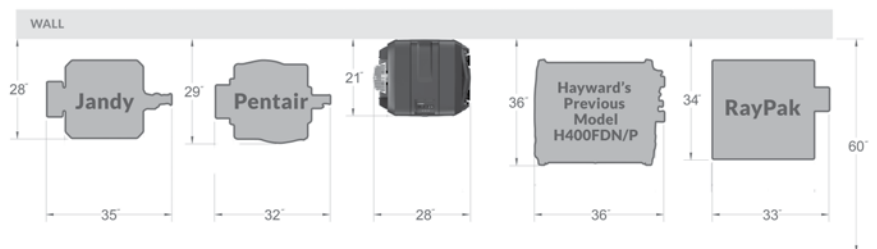


Universal HC Series Heater

## Specifications & Dimensions

Model Number	BTU	Supply Voltage	Water Connections	Heater Size W x D x H	Footprint Size W x D	Weight (lbs.)	
						Unit	Ship
HDF400	400,000	240/120 VAC	2"/2.5"	28" x 21" x 31"	21" x 21"	135	170
HDF275	275,000	240/120 VAC	2"/2.5"	28" x 21" x 31"	21" x 21"	135	170

### The Industry's Smallest-Footprint Heater\*

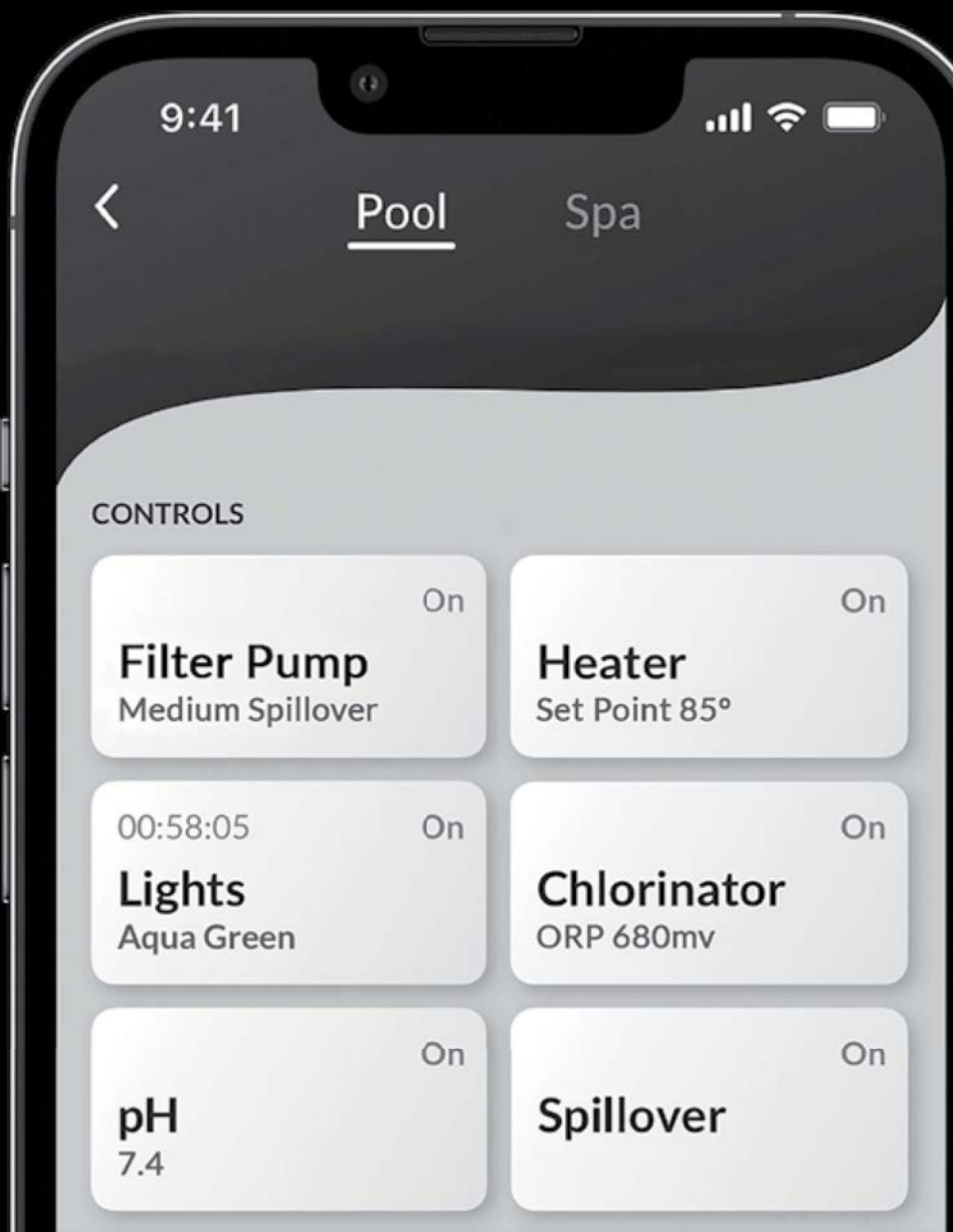


Hayward, Hayward & Design and the H logo are registered trademarks of Hayward Industries, Inc. All other trademarks not owned by Hayward are the property of their respective owners. Hayward is not in any way affiliated with or endorsed by those third parties. ©2022 Hayward Industries, Inc.

# SIMPLE IS BETTER.

The OmniLogic app connects everything in the pool and backyard and controls it all with a tap, click or voice command. Plus, with the same intuitive interface for every Omni® automation system and more than 1,000 5-star reviews on app stores, OmniLogic is just as simple to love as it is to use.

THE HIGHEST-RATED POOL CONTROL APP.



OMNILOGIC® APP

Scan the QR code to learn more about Better Automation



## EXPERT LINE

HydraPure's advanced oxidation process (AOP) combines UV and ozone to form hydroxyl radicals. Together these three sanitizers destroy 99.9%\* of chlorine-resistant bacteria and viruses.

### Applications

- Residential, new or existing, in-ground pools

### Features

- UV eliminates harmful chlorine-resistant microorganisms by breaking down the body of the bacteria or virus
- Ozone oxidizes and destroys organic compounds including odor creating Chloramines
- Advanced Oxidation Process (AOP) combines UV and ozone to form hydroxyl radicals. Together these sanitizers to destroy 99.9%\* of chlorine-resistant bacteria and viruses.
- Operates at flow rates as low as 10 GPM, making it the perfect partner for modern variable-speed pumps
- Less chlorine maintenance – UV and Ozone reduce the amount of traditional or salt chlorine required for effective sanitization
- Easy to operate and maintain. No monitoring or adjusting with easy to view notification lights
- Easy to install lid rotates in any direction for clear visibility of the user interface
- Ability to operate up to 120 GPM without a bypass

**NOTE:** \*Destroys 99.9% of chlorine-resistant microorganisms up to 80 GPM, with a reduced level above 80 GPM.



HydraPure UV, Ozone and AOP System

## HydraPure Buying Guide

Model Number	Description	Warranty	Ctn. Qty.	Shipping Weight
HYDRAPURE*	HydraPure UV, Ozone & AOP System, Field Wireable	3 Year	1	47 lbs.
HYDRACORDKIT	Cord Adapter Kit, 115V	1 Year	1	1.25 lbs.

**NOTES:** \*3-year warranty, 1-year warranty for UV and O3 lamps

# Genuine Hayward TurboCells®

SALT CHLORINATION CELLS

EXPERT LINE



TCELLS340 TurboCell S3 Salt Cell (top) TCELL940 Hayward Goldline TurboCell Salt Cell (bottom)

TurboCell Salt Cells are the heart of Hayward's salt chlorine generating systems. Give any pool the best in natural sanitization and softness. Naturally converts dissolved salt into a virtually endless supply of chlorine, providing automatic, consistent sanitization that won't irritate eyes, dry out skin or cause fabrics to fade.

### Applications

- For new or existing in-ground pools up to 40,000 gallons
- For use with Hayward AquaRite systems
- Compatible with Hayward Omni automation systems

### Features

- Clear salt cell for easy inspection on S3 models
- Available in three sizes – 40,000, 25,000 and 15,000 gallons
- Automatically generates a self-renewing supply of chlorine to save 50% over conventional chlorine
- NSF certified for chlorine output

### Beware of Imitators

With other replacement cells, you get what you pay for: Lower quality, shorter life, non-certification. Generic cells are not safety certified for use with Hayward salt chlorinators. Through independent test by leading authority in electrolytic cells, some generic cells have been shown to have 75% less operating life than a Hayward TurboCell.

### Live in an arid or tropical climate?

You may need a larger cell. Consider using the next size up or multiple cells for challenging climates.

### Commercial Applications

Before using any Hayward chlorinator for commercial applications, check local and state codes for requirements. Combining multiple units is possible to achieve the requisite chlorine delivery rate. View Saline C 6.0 and Saline C 11.0 salt chlorine generating systems.

## TurboCells Buying Guide

Model Number	Description	Warranty*	Ctn. Qty.	Shipping Weight
<b>Salt Chlorinators</b>				
T-CELL-3	TurboCell 15,000 gallon	3 year	1	4.3 lbs.
TCELL925*	Extended Life TurboCell 25,000 gallon	5 year	1	4.3 lbs.
TCELL940*	Extended Life TurboCell 40,000 gallon	5 year	1	4.3 lbs.
TCELLS315	TurboCell S3 15,000 gallon	3 year	1	4.2 lbs.
TCELLS325	TurboCell S3 25,000 gallon	3 year	1	4.2 lbs.
TCELLS340	TurboCell S3 40,000 gallon	3 year	1	4.2lbs.
TCELLS340X25	TurboCell S3 40,000 gallon, 25 ft. cord	3 year	1	5.04 lbs.

**NOTE:** \*5-year warranty will be honored for units built prior to January 1, 2023.

**Hayward TurboCells are the ONLY salt cells certified by a Nationally Recognized Testing Laboratory to be safe to use with Hayward controllers.**

Sanitization

Superior salt sanitization with built-in control, AquaRite S3 effortlessly manages chlorine levels, a pump and heater. AquaRite S3 is more than salt chlorination — it's advanced sanitization and automation that grows with any pool.

**Applications**

- Residential, in-ground pools up to 40,000 gallons
- Available in three sizes – 15,000, 25,000 and 40,000 gallons

**AquaRite S3 Features**

- LCD colour display for built-in control of chlorine levels, heater and variable-speed pump (single-speed pump control via Smart Relay, HLH485RELAY, sold separately)
- Clear TurboCell salt cell for easy inspection
- Operates over a broad range of salt levels, 800-8000 PPM
- Pool cover detect capabilities
- Auto voltage select for easier installation
- Easy upgrade path to Omni® controls via AQRS30MNIKIT

**AquaRite S3 Omni Features**

- Includes all AquaRite S3 features above
  - Full control of virtually any pool or spa feature via the external control panel, OmniLogic® app or voice control devices\*
  - Valve ports to automatically switch to Spa mode, GVA-24 automatic actuators sold separately
  - ColorLogic lighting control with OmniDirect Mode™
  - pH and ORP sensing capabilities, probes sold separately
  - Expand at any time with easy-to-add accessories from smart relays, pH sensing, WiFi connectivity and more
  - Configurable for future upgrades
- Control and set schedules for 3x variable-speed pumps  
Control 2x heaters  
2 high power relays
- Capable of controlling an acid feed tank
- \*Voice control devices are not included.



AQRS340 AquaRite S3 Salt Chlorination System

**AquaRite S3 Buying Guide**

Model Number	Description	Warranty*	Ctn. Qty.	Shipping Weight
AQRS315	AquaRite S3 Salt System 15,000 gallon	3 year	1	22.1 lbs.
AQRS325	AquaRite S3 Salt System 25,000 gallon	3 year	1	22.1 lbs.
AQRS340	AquaRite S3 Salt System 40,000 gallon	3 year	1	22.1 lbs.
AQRS325OMNI	AquaRite S3 Omni Salt System 25,000 gallon	3 year	1	24 lbs.
AQRS340OMNI	AquaRite S3 Omni Salt System 40,000 gallon	3 year	1	24 lbs.
AQRS30MNIKIT	AquaRite S3 Omni Upgrade Kit	3 year	1	3 lbs.
TCELLS315	TurboCell® S3 Salt Cell 15,000 gallon	3 year	1	4.2 lbs.
TCELLS325	TurboCell S3 Salt Cell 25,000 gallon	3 year	1	4.2 lbs.
TCELLS340	TurboCell S3 Salt Cell 40,000 gallon	3 year	1	4.2 lbs.
TCELLS340X25	TurboCell S3 Salt Cell 40,000 gallon, 25 ft. cord	3 year	1	5.04 lbs.

Aquarite S3 systems work only with a genuine S3 Series Hayward Salt Cell.

Sanitization



OmniPL Smart Pool and Spa Control shown with app and optional wireless remote. Mobile phone, tablet and remote are not included.

Unmatched value in automation for new pools and spas. OmniPL leverages the OmniLogic® platform and easy-to-use app, where you can customize the level of smart control. Simplify pool ownership by integrating salt chlorination options with your automation.

### Applications

- Residential, new or existing in-ground pools
- Single, shared or dual equipment

### Features and Benefits

- **Ease of Installation.** External control display equipped with 15-foot cord.
- **Pump Control.** Full control of up to 8 Hayward Variable Speed Pumps without using any relays. Can also control competitive VS Pumps with HLPMPCONV.
- **Modular Expandability.** Equipped with 4 relays with flexibility to upgrade. Increase to 6 relays with (2)-HLRELAY, increase to 8 relays with additional (2)-HLH485Relay.
- **OmniDirect Mode™.** Supports ColorLogic® LED lighting with 20 added colour options, 7 exclusive shows and precise control of dimming, speed and more.
- **Salt Compatibility.** Select models are ready for salt once you add a Hayward salt cell (PRO4S models). Select models include a salt cell for pools up to 40,000 gallons (PLUS4 models).
- **Compatible with Omni® Remotes:** HLWRELESS, HLWALLMOUNT and HLPASIDE
- **OmniLogic app** allows you to monitor, set schedules and control your entire backyard at home or on the go (only available on W models).
- **Effortless Voice Assisted Device Control.** Works with popular voice control systems like Amazon® Alexa® and Google Home® (only available on W models)

## OmniPL Buying Guide

### EXPERT LINE

Model Number	Description	Ctn. Qty.	Shipping Weight
HLPRO4W	OmniPL 4 Relay with App	1	37 lbs.
HLPRO4SW	OmniPL 4 Relay, Salt Ready with App	1	37 lbs.
HLPLUS4W	OmniPL 4 Relay, Salt Cell with App	1	40 lbs.
HLPRO4NW	OmniPL 4 Relay, No Sub, with App	1	33 lbs.
HLPRO4NSW	OmniPL 4 Relay, No Sub, Salt Ready with App	1	33 lbs.

### Accessories

TCELLS340	TurboCell® S3 Salt Cell for pools up to 40,000 gallons	1	4.2 lbs.
-----------	--	---	----------

## Accessories Buying Guide

Model Number	Description	Ctn. Qty.	Shipping Weight
HLRELAY	OmniLogic 1-Relay Module	1	1 lb.
HLH485RELAY	Omni RS485 Smart Relay	1	4 lbs.
LTSUY11300	SmartPower® 300W Wall Mount Transformer with 4 relays	1	12.5 lbs.
GVA-24	Actuator, 24 Volt	1	3 lbs.
HLWIRELESS	OmniLogic Wireless Waterproof Remote	1	5 lbs.
HLWALLMOUNT	OmniLogic Wall-Mount Remote	1	3 lbs.
HLSPASIDE	OmniLogic Wired Spa Side Remote	1	3.5 lbs.
TCELLS340	TurboCell S3 Salt Cell for pools up to 40,000 gallons	1	4.2 lbs.
P-KIT	Hayward Salt Plumbing Kit	1	4.3 lbs.
HLAQRPCB	Omni Daughter board for existing AquaRite installations	1	1 lb.
HLPMPCOMV	OmniLogic Competitive VSP Converter Board	1	1 lb.
HLCHEM	Sense & Dispense®	1	9 lbs.
HLPROUPG	ProLogic® to OmniPL Upgrade Kit	1	10 lbs.

### Standard Features

- External touch display for easy configuration and programming
- Fully programmable, automatic control of every output
- 4 High-voltage relays upgradeable to 8
- 4 valve actuators
- Controls up to 8 pumps without using a relay
- 100A Subpanel with 8 Breaker Slots
- 50 Configurable Favorites Buttons
- 25 Unique Programmable Themes
- Salt Chlorination Ready (PRO4S models), select models include a salt cell (PLUS4 models)
- Web-enabled for app and voice assistant control (W models)

Google Home® is a trademark of Google, LLC., Amazon® and Alexa® are trademarks of Amazon Technologies, Inc. Neither of these companies are affiliated with Hayward Industries, Inc. nor endorses this product.



Complete Omni Control,  
Without A Completely New System.

The OmniPL Retrofit Kit is the best way to give new life to an existing automation system, bringing full-featured Omni functionality to a wide array of ProLogic controls—with installation in an hour or less.

### Applications

- Easy upgrade for existing ProLogic automation systems (4-8 relays)

### Features and Benefits

- **Ease of Installation.** External relocatable touchscreen control display equipped with 15-foot cord
- **Pump Control.** Full control of up to 8 Hayward Variable Speed Pumps without using any relays. Can also control competitive VS Pumps with HLPMPCONV. Visit Hayward.com for compatibility.
- **Modular Expandability.** Equipped with 4 relays with flexibility to upgrade. Increase to 6 relays with (2)-HLRELAY, increase to 8 relays with additional (2)-HLH485Relay.
- **SmartPower Control.** Optimized for use with Omni automation systems, providing more control than ever. Easily alternate the colors for up to four zones of lighting from one transformer.
- **OmniDirect Mode™.** Supports ColorLogic LED lighting with 20 added color options, 7 exclusive shows and precise control of dimming, speed and more (when paired with select ColorLogic models manufactured after January 2018).
- **Salt Compatibility.** Your upgrade is ready for salt once you add a Hayward Salt Cell
- **Compatible with Omni Remotes:** HLWIRELESS, HLWALLMOUNT and HLPSPASIDE
- OmniLogic app allows you to monitor, set schedules and control your entire backyard at home or on the go
- **Effortless Voice Assisted Device Control.** Works with popular voice control systems like Amazon® Alexa® and Google Home®

**NOTE:** \*The retrofit kit is not compatible with any ProLogic or AquaLogic legacy wireless, wallmount, desktop, or spaside remote controls.



OmniPL Retrofit Kit. Mobile phone, tablet and remotes are not included.

## OmniPL Retrofit Kit Buying Guide

EXPERT LINE

Model Number	Description	Warranty*	Ctn. Qty.	Shipping Weight
HLPROUPG	ProLogic to OmniPL Upgrade Kit	3 year	1	37 lbs.
<b>Accessories</b>				
HLWIRELESS	OmniLogic Wireless Waterproof Remote		1	5 lbs.
HLWALLMOUNT	OmniLogic Wall-Mount Remote		1	3 lbs.
HLPSPASIDE	OmniLogic Wired Spaside Remote		1	3.5 lbs.

## Accessories Buying Guide

Model Number	Description	Ctn. Qty.	Shipping Weight
HLRELAY	OmniLogic 1-Relay Module	1	1 lb.
HLH485RELAY	Omni RS485 Smart Relay	1	4 lbs.
LTSUY11300	SmartPower® 300W Wall Mount Transformer with 4 relays	1	12.5 lbs.
GVA-24	Actuator, 24 Volt	1	3 lbs.
HLWIRELESS	OmniLogic Wireless Waterproof Remote	1	5 lbs.
HLWALLMOUNT	OmniLogic Wall-Mount Remote	1	3 lbs.
HLPSPASIDE	OmniLogic Wired Spa Side Remote	1	3.5 lbs.
TCELLS340	TurboCell S3 Salt Cell for pools up to 40,000 gallons	1	4.2 lbs.
P-KIT	Hayward Salt Plumbing Kit	1	4.3 lbs.
HLAQRPCB	Omni Daughter board for existing AquaRite installations	1	1 lb.
HLPMPCOMV	OmniLogic Competitive VSP Converter Board	1	1 lb.
HLCHEM	Sense & Dispense®	1	9 lbs.
HLPROUPG	ProLogic® to OmniPL Upgrade Kit	1	10 lbs.

Hayward, Hayward & Design, the H logo, ColorLogic, Omni, OmniPL, OmniLogic and ProLogic are registered trademarks and We Build Better. and OmniDirect Mode are trademarks of Hayward Industries, Inc. Google Home® is a trademark of Google, LLC., and Amazon® and Alexa® are trademarks of Amazon Technologies, Inc. Neither of these companies is affiliated with Hayward Industries, Inc. nor endorses this product.  
© 2023 Hayward Industries, Inc.

Automation

# ProLogic®/OmniPL® Replacement Comparison

AUTOMATION, CHLORINATION AND TOTAL POOL CHEMISTRY

Use the chart below to select the OmniPL replacement for ProLogic model that matches your system requirements.

Feature	P-4	HLPRO4W	PS-4/8	HLPRO4SW	HLBASE	Comments
Variable Speed Pump control	2/8	8	2/8	8	16	<b>Omnis up to 8/16 VSP pumps full speed control no relays</b> <b>P4/PS4 2 multi speed/up to 6 as single speed</b>
Auxiliary relay outputs	4	4-8*	4 or 8	4-8*	4-20*	<b>3HP, 120/240VAC *upgradeable with HLRelay, HLRelaybank and HLH485Relay</b>
Gas heater/heat pump control	1	3	2*	3	4-8**	<b>controls up to X heat sources, Omnis controls heat/cool</b>
Valve control	3	4	4*	4	4-16**	<b>24VAC, purchase GVA-24 valve actuators separately</b> <b>*using 2nd heater disables 4th valve output</b> <b>**using HLIOEXPAND and HLEXPAND</b>
Salt Chlorination	✓	No	✓	✓	✓	<b>Choose a 40K, 25K or 15K cell; plumbing kit required</b> <b>(includes flow switch and unions)</b>
Color Light Control	No	Full	No	Full	Full	<b>P4/PS4 manual color light control, Omnis control for Hayward</b> <b>(OmniDirect if available), Pentair and Jandy color lights</b>
Apple/Google Apps	Optional	✓	Optional	✓	✓	<b>apps for Apple/Android phones/tablets to control pool/spa</b>
Built-in subpanel	125A	125A	125A	125A	125A	8 position tub, accepts 125A feeds, derated per NEC to 100A
Knockouts of optional GFI outlet	1	1	1	1	1	side of enclosure, GFI outlet not included
Relocatable touch screen display	No	✓	No	✓	✓	Omnis have 15 ft relocatable display, all units allows programming at pool equipment pad
Themes/Groups/Macros	1	25	2	25	25	perform multiple functions with one button
Favorites/Soft Keys	0	50	0	50	50	additional keys for assigning functions
AquaRite® control	✓	✓	✓	✓	✓	controls 1 or more AquaRites for additional chlorination, Omnis require HLAQRPCB
Shared equipment for pool and spa	✓	✓	✓	✓	✓	operates pool/spa suction and return valves, allows spillover
Dual equipment for pool and spa	No	✓	✓	✓	✓	P4/PS4/8 solar function not available with dual equipment
Dual equipment with shared heater	No	✓	✓	✓	✓	controls a single heater to heat both pool and spa
Bodies of Water Supported	2	4	2	4	4	Omnis can control from your basic pool to 2 pools/2 spas on the same controller
Pool filter pump timer	4	24	4	24	24	programmable on/off periods per day
Spa pump timer	2	24	2	24	24	2 periods per day, spa has priority over all other functions
Manual on with countdown timer	✓	✓	✓	✓	✓	P4/PS4 5 minutes to 21 hours, Omnis 1 min to 24 hours
Freeze protection	✓	✓	✓	✓	✓	disable or enable with adjustable threshold 33-42°F
Auxiliary Relay functions						
Programmable names	None	Custom	Pre named	Custom	Custom	pre named examples: "spa jets", "blower", "water feature", etc.
Manual on/off	✓	✓	✓	✓	✓	turn any relay powered equipment on and off manually
Countdown timer (egg timer)	✓	✓	✓	✓	✓	manual on, automatically turns off after programmed elapsed time
Timeclock	✓	✓	✓	✓	✓	24 hour timeclock, weekday/weekend capability, Omnis daily capability
Solar boost pump	✓	✓	✓	✓	✓	turns on when solar heat is available
Interlock function	Simple	Advanced	Simple	Advanced	Advanced	enable/disable, output off when filter pump off or in spa-only mode
Valve output functions						
Manual on/off	No	✓	✓	✓	✓	manual on/off control of all relays
Default on speeds	No	✓	✓	✓	✓	turn on specific speeds for water features
Countdown timer (egg timer)	No	✓	✓	✓	✓	manual on, automatically turns off after programmed time
Timeclock	✓	✓	✓	✓	✓	24 hour timeclock, weekday/weekend capability, Omnis daily capability
Solar	✓	✓	✓	✓	✓	turns on when solar heat is available
In-floor cleaner	30/30	Custom	30/30	Custom	Custom	30 minutes in one position, 30 minutes in the other, Omnis custom
Interlock function	Simple	Advanced	Simple	Advanced	Advanced	P4/PS4 to filter pump or spa mode, omni custom scenarios for interlocks
Gas heater/heatpump control						
Separate settings for pool and spa	✓	✓	✓	✓	✓	65-104°F, with off position, Omni custom min/max
Heater cooldown	✓	✓	✓	✓	✓	enable/disable, runs filter pump for 5 minutes after heater turns off
Heater extend	✓	✓	✓	✓	✓	enable/disable, extends normal filter time if pool is not up to temperature
Manual off-automatic button	No	✓	✓	✓	✓	manual on/off of all valves
Solar control built in	✓	✓	✓	✓	✓	enable/disable, 65-104°F, separate pool and spa settings
Additional Accessory Control Sense and Dispense®						
AquaPod® 2.0/HLWireless	Pod	Wireless	Pod	Wireless	Wireless	chemistry automation
Wired wall remote display/keypad	Buttons	Touch	Buttons	Touch	Touch	waterproof, hand held rechargeable remote control
Wired spaside remote	✓	✓	✓	✓	✓	P4/PS4 wired button remote, Omnis touchscreen remote
Wireless antenna	Option	Built In	Option	Built In	Built In	6 functions, waterproof
OmniDirect Light Controls	No	✓	No	✓	✓	P4/PS4 required for remotes, Omnis included in base
Home Automation Integration	No	Included	Optional \$	Included	Included	20 colors, direct to color, dimming and show speed change
Apple and Google Apps	Optional \$	Included	Optional \$	Included	Included	free integration with most top home automation companies
Apple Watch Controls	No	Included	No	Included	Included	industries best pool and spa control app
Amazon Alexa and Google Home	No	✓	No	✓	✓	control your pool and spa with your Apple watch
						use voice control to check on and control your pool and spa

\*Replacement for PL-P-4: HLPRO4W (No Salt with Web); Replacement for PL-PS-4: HLPRO4SW (Salt with Web); Replacement for PL-PS-8: HLBASE + HLRELAYBANK

Universal ColorLogic 2.0 LED lights retrofit in virtually any existing pool or spa – transform your backyard with vibrant colour.

Pool owners can choose from 10 solid colours and 7 dynamic, colour-changing light shows to set the perfect theme for any occasion. Plus, when integrated with Hayward Omni® Automation Systems, Universal ColorLogic offers additional colours and advanced features such as enhanced navigation, dimming, and speed control. Discover how Hayward’s brilliant pool and spa lighting can transform any backyard environment into an oasis of colour.

**Applications**

- Residential in-ground pool or spa

**Features**

- LED pool and spa lights UL kisted for safe installation in virtually any manufacturer's niche
- Industry leader in colour
- Detachable cord for ease of service – **NEW** for pool lights
- Directional optics for glare Reduction
- Adjustable lower catch to overcome variations in plaster depth – **NEW** for pool lights
- Easily adjust to angled niches using the rotatable mounting flange – **NEW** for pool lights
- Stainless steel trim options – **NEW** for pool lights

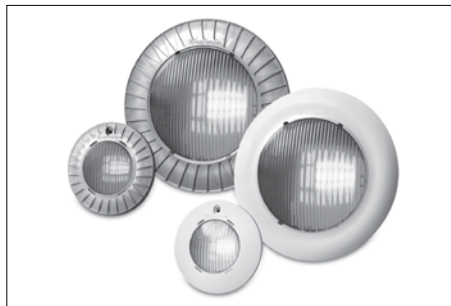


Universal ColorLogic Pool and Spa Lights

**Universal ColorLogic 2.0 Buying Guide**

Standard Switched Light	Pool or Spa	Voltage	Cord Length	Ctn. Qty.	Ctn. Weight
LPCUS22030	Pool	12	30'	1	7 lbs.
LPCUS22050	Pool	12	50'	1	9 lbs.
LPCUS22100	Pool	12	100'	1	14 lbs.
LPCUS22150	Pool	12	150'	1	19 lbs.
LSCUS22030	Spa	12	30'	1	4 lbs.
LSCUS22050	Spa	12	50'	1	6 lbs.
LSCUS22100*	Spa	12	100'	1	11 lbs.
LSCUS22150*	Spa	12	150'	1	16 lbs.

**NOTE:** \*For cord lengths of 100 ft. or greater, use a 14V transformer output to ensure optimal performance.



**Universal ColorLogic® Buying Guide**

Standard Switched Light	Hayward Automation Networked Lights	Pool or Spa	Voltage	Cord Length	Ctn. Qty.	Ctn. Weight
LPCUS11030		Pool	12	30'	1	7 lbs.
LPCUS11100	LPCUN11100	Pool	12	100'	1	14 lbs.
LSCUS11030		Spa	12	30'	1	4 lbs.
LSCUS11100*	LSCUN11100	Spa	12	100'	1	11 lbs.

**Universal ColorLogic® Accessories**

Model Number	Description
LKBUN1000	Coupler for Network Lights
SP3495C	Deck Box
SP3495CDGR	Deck Box - Dark Gray
LFVUY1000	UCL Jiffy Niche, vinyl/fiberglass

**300-Watt Transformer Buying Guide**

Model Number	Description
LTBCY11300	300W Wall Mount Transformer
LTSUY11300*	300W Wall Mount Transformer with 4 relays

**Note:** \*This SKU is for use with Hayward Omni Automation only

# Universal CrystaLogic® 2.0

12V LED WHITE POOL AND SPA LIGHTS

EXPERT LINE



Universal CrystaLogic White LED Lights

Universal CrystaLogic White LED Pool and Spa Lights deliver bright, longer-lasting LED lighting for residential or commercial pools and spas. Universal CrystaLogic White LED Lighting represents a breakthrough technology for the illumination of any water feature or body of water. The optimized LED and optic design delivers both extraordinary lumen per watt energy efficiency and associated long lifetime cost.

### Applications

- Residential or commercial, in-ground, pool or spa

### Features

- UL listed for safe installation in virtually any manufacturer's niche
- Industry leader in color
- Directional optics for glare reduction

### Pool Lights Features

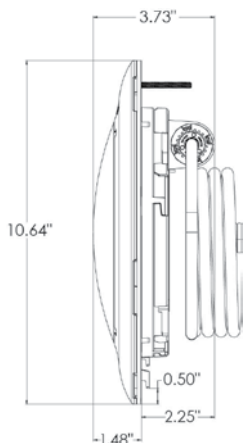
- Detachable cord for ease of service
- Adjustable lower catch to overcome variations in plaster depth
- Easily adjust to angled niches using the rotatable mounting flange
- Stainless steel trim options

## Universal CrystaLogic White LED Buying Guide

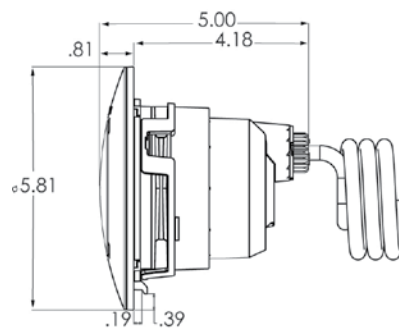
Model Number	Wattage Equivalent/Lumens	Pool or Spa	Voltage	Cord Length	Ctn. Qty.	Shipping Weight
LSLUS221030	100W/1100	Spa	12	30'	1	4 lbs.
LSLUS221050	100W/1100	Spa	12	50'	1	6 lbs.
LSLUS221100	100W/1100	Spa	12	100'	1	11 lbs.
LSLUS221150	100W/1100	Spa	12	150'	1	16 lbs.
LPLUS221030	300W/3300	Pool	12	30'	1	7 lbs.
LPLUS221050	300W/3300	Pool	12	50'	1	9 lbs.
LPLUS221100	300W/3300	Pool	12	100'	1	14 lbs.
LPLUS221150	300W/3300	Pool	12	150'	1	19 lbs.
LPWUS11030	500W/4900	Pool	12	30'	1	7 lbs.
LPWUS11050	500W/4900	Pool	12	50'	1	9 lbs.
LPWUS11100*	500W/4900	Pool	12	100'	1	14 lbs.
LPWUS11150*	500W/4900	Pool	12	150'	1	19 lbs.
LPWUS11200*	500W/4900	Pool	12	200'	1s	33 lbs.

NOTE: \*For cord lengths of 100ft or greater, use a 14V transformer output to ensure optimal performance.

### Overall Dimensions (inches)



LED Pool Light



LED Spa Light

Lighting

## The Ultimate Theme Setter

Unlock your lighting with four (4) zones of control from one transformer. Change colour between the pool, spa or water features without requiring additional HV relays or transformers.

### Features

- Easily alternate the colours for up to four (4) zones of lighting from this one transformer
- Supports up to 75W per zone
- Controllable with Omni® automation systems\*
- OmniDirect Mode™ compatible for additional lighting shows and colours, dimming control and more
- No high voltage relay is required
- UL Listed

### Setup

- SmartPower will connect to the same 4-pin low speed communication bus as other Hayward Smart devices.
- MSP Firmware version: R4.4.0 or newer



SmartPower

## SmartPower Buying Guide

Model Number	Description	Ctn. Qty.	Ctn. Weight
LTSUY11300*	300W Wall Mount Transformer with 4 relays	1	12.5 lbs.
GLXLTPCB	SmartPower Replacement PCB Kit	1	

**NOTE:** \*This SKU is for use with Hayward Omni Automation only

### Overall Dimensions (inches)



# ColorSplash® LED Pool Lights

12V AND 120V LED POOL AND SPA LIGHTS



ColorSplash LED Pool Light

J&J's™ ColorSplash® XG-W Series Inground Pool and Spa Fixtures offers a variety colors and shows to instantly transform any pool or spa into a custom illuminated paradise.

## Features

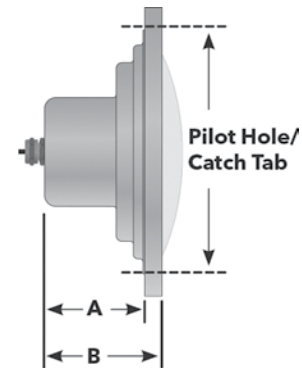
- RGB-W with "PureWhite®" mode
- Wide angle LEDs increase coverage area
- Synchronizes with ColorSplash XG, LXG and LXG-W series fixtures and lamps
- Compatible with J&J's XG Controller

**NOTE:** Operates with Jandy® and Pentair® automation systems. Systems need to be programmable to operate Pentair IntelliBrite 5G LED Color. Refer to owner's manual for more information.

## ColorSplash LED Pool Light Buying Guide

Model Number	Description	Peak Lumens	Voltage	Type	Cord Length	Ctn. Qty	Ctn. Weight
<b>58-Watt XGW 500 Series ColorSplash LED</b>							
23001	LPL-F2CW-120-50-P	3,900	120	RGBW	50'	1	13.5 lbs.
23002	LPL-F2CW-120-100-P	3,900	120	RGBW	100'	1	18 lbs.
<b>39-Watt XGW 300 Series ColorSplash LED</b>							
23049	LPL-F1CW-12-100-P	1,500	12	RGBW	100'	1	19 lbs.

## Overall Dimensions (inches)



	LPL-F2C (Pool)
A	3.4"
B	3.9"
Lens Diameter	6.0"
Faceplate Diameter	10.5"
<b>Pilot Hole/Catch Tab</b>	
Standard Fixture Version	9 1/2" Center-to-Center
SwimQuip Fixture Version*	8" Center-to-Center

**NOTE:** \*J&J's faceplate diameter is larger than the standard SwimQuip faceplate. Ensure there is enough even surface for fixture faceplate to fit flat against pool wall.

# ColorSplash® VU

12V LED POOL, SPA AND BACKYARD LIGHTS

J&J's™ ColorSplash Nicheless RGB-W series LED pool and spa fixtures offers a variety colors and shows to instantly transform any pool or spa into a custom illuminated paradise. Use it to light up a pool's steps, swimouts and water spillovers, or accent a spa.

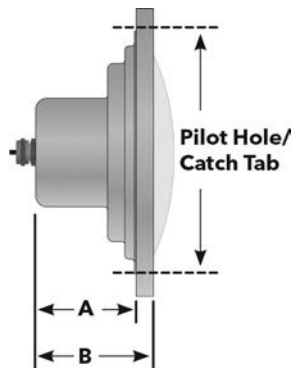
### Features

- RGB-W with "PureWhite®" mode
- Easy installation; fits in most manufacturers 1 1/2" wall fittings
- 4" minimum water depth
- Synchronizes with ColorSplash XG, LXG and LXG-W series fixtures and lamps
- Compatible with J&J's XG Controller



ColorSplash and PureWhite VU

### Overall Dimensions (inches)



A	.375"
B	5.75"
Lens Diameter	1.975"

### ColorSplash VU Buying Guide

Model Number	Description	Voltage	Type	Cord Length	Ctn. Qty.	Ctn. Weight
<b>20-Watt 12V ColorSplash LED</b>						
25014	LPL-R2CW-12-100	12V	RGBW	100'	1	6.2 lbs.

# ColorSplash® LED Spa Lights

120V LED POOL AND SPA LIGHTS



ColorSplash LED Spa Light

J&J's™ ColorSplash XG-W Series Inground Pool and Spa Fixtures offers a variety colors and shows to instantly transform any pool or spa into a custom illuminated paradise.

### Features

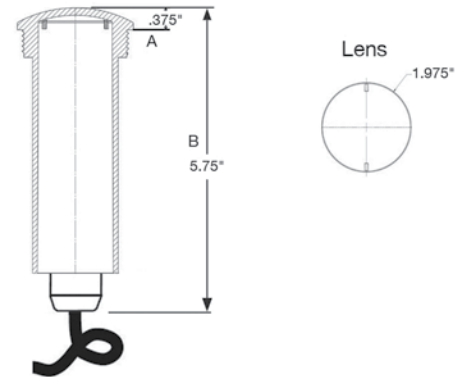
- RGB-W with "PureWhite®" mode
- Wide angle LEDs increase coverage area
- Synchronizes with ColorSplash XG, LXG and LXG-W series fixtures and lamps
- Compatible with J&J's XG Controller

**NOTE:** Operates with Jandy® and Pentair® automation systems. Systems need to be programmable to operate Pentair IntelliBrite 5G LED Color. Refer to owner's manual for more information.

## ColorSplash LED Spa Light Buying Guide

Model Number	Description	Peak Lumens	Voltage	Type	Cord Length	Ctn. Qty.	Ctn. Weight
<b>4-Watt XGW 500 Series ColorSplash LED</b>							
23011	LPL-S2CW-120-50-P	265	120	RGBW	50'	1	10 lbs.
23012	LPL-S2CW-120-100-P	265	120	RGBW	100'	1	13.5 lbs.

### Overall Dimensions (inches)



	LPL-F2C (Spa)
A	2.9"
B	3.5"
Lens Diameter	2.9"
Faceplate Diameter	5.7"



# PureWhite® LED Pool Lights

120V LED POOL AND SPA LIGHTS FOR SWIMQUIP NICHES

J&J™ Electronic's PureWhite LED Pool and Spa Light Fixtures provide an LED lighting alternative to inefficient incandescent lamps for installations requiring a wet niche fixture. They significantly reduce energy consumption and maintenance costs. Plus, all PureWhite LED Pool and Spa Light Fixtures feature a superior rugged construction that is unmatched in the industry.

## Features

- Uses less energy – up to 90%\*
- Lasts up to 50,000 hours – 20x longer life\*\*
- Enhances pool water appearance – looks clearer and cleaner
- Enhances dark finish pools - commercial and residential
- Installs easily – compact fixture depth allows bottom catch visibility from pool deck

**NOTES:** \*HI Series compared to incandescent lamps

\*\*Compared to incandescent lamps

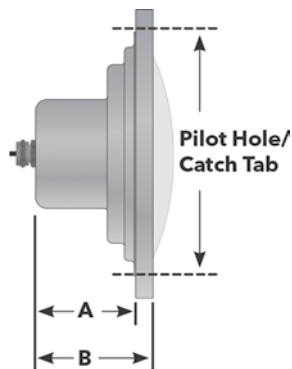


PureWhite LED Pool Light for SwimQuip Niches

## PureWhite LED Pool Lights Buying Guide

Model Number	Description	Peak Lumens	Voltage	CCT	Cord Length	Ctn. Qty.	Ctn. Weight
<b>87-Watt PureWhite LED Pool Fixture for SwimQuip Niches</b>							
21127	LPL-F5W-120-30-PSQ	4,500	120	6500K	30'	1	10.5 lbs.
<b>58-Watt PureWhite LED Pool Fixture for SwimQuip Niches</b>							
21121	LPL-F3W-120-30-PSQ	3,900	120	6500K	30'	1	10.5 lbs.
21053	LPL-F3W-120-50-PSQ	3,900	120	6500K	50'	1	13.5 lbs.
<b>39-Watt PureWhite LED Pool Fixture for SwimQuip Niches</b>							
21122	LPL-F1W-120-30-PSQ	2,400	120	6500K	30'	1	10.5 lbs.

## Overall Dimensions (inches)



LPL-F2C (Pool)	
A	3.4"
B	3.9"
Lens Diameter	6.0"
Faceplate Diameter	10.5"
<b>Pilot Hole/Catch Tab</b>	
Standard Fixture Version	9 1/2" Center-to-Center
SwimQuip Fixture Version*	8" Center-to-Center

NOTE: \*J&J's faceplate diameter is larger than the standard SwimQuip faceplate. Ensure there is enough even surface for fixture faceplate to fit flat against pool wall.

# PureWhite® LED Spa Lights

120V LED SPA LIGHTS



PureWhite LED Pool Light

J&J Electronic's™ PureWhite LED Pool and Spa Light Fixtures provide an LED lighting alternative to inefficient incandescent lamps for installations requiring a wet niche fixture. They significantly reduce energy consumption and maintenance costs. Plus, all PureWhite LED Pool and Spa Light Fixtures feature a superior rugged construction that is unmatched in the industry.

## Features

- Uses less energy – up to 90%\*
- Lasts up to 50,000 hours – 20x longer life\*\*
- Enhances pool water appearance – looks clearer and cleaner
- Enhances dark finish pools – commercial and residential
- Installs easily – compact fixture depth allows bottom catch visibility from pool deck

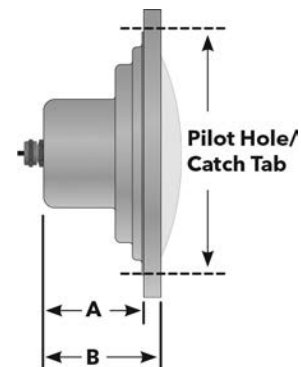
NOTES: \*HI Series compared to incandescent lamps

\*\*Compared to incandescent lamps

## PureWhite LED Pool Lights Buying Guide

Model Number	Description	Peak Lumens	Voltage	CCT	Cord Length	Ctn. Qty.	Ctn. Weight
<b>13-Watt PureWhite LED Spa Fixture</b>							
21100	LPL-S1W-120-30-P	500	120	6500K	30'	1	7.5 lbs.
21091	LPL-S1W-120-50-P	500	120	6500K	50'	1	10 lbs.

## Overall Dimensions (inches)



LPL-F2C (Spa)	
A	2.9"
B	3.5"
Lens Diameter	2.9"
Faceplate Diameter	5.7"
Pilot Hole/Catch Tab	
Standard Fixture Version	9 1/2" Center-to-Center
SwimQuip Fixture Version*	8" Center-to-Center

NOTE: \*J&J's faceplate diameter is larger than the standard SwimQuip faceplate. Ensure there is enough even surface for fixture faceplate to fit flat against pool wall.

# PureWhite® Pro LED Lamps

12V AND 120V LED POOL AND SPA LAMPS

J&J Electronic's™ PureWhite Pro LED Replacement In-Ground Pool and Spa Lamps are the brightest, most cost-effective LED alternative to inefficient incandescent lamps. They immediately and significantly reduce energy consumption and maintenance costs. Our PureWhite-Pro lamps fit into most standard pool light housings and includes our Guardian™ replacement pool fixture lens gasket which has been designed specifically for use with LED lamps.

## Features

- Ultra-bright white light equivalents for 100w thru 500w incandescent pool lamps
- Uniformity of light intensity and saturation
- Multiple color temps: warm white 2700k and cool white 6500k
- 12V and 120V
- Wide beam spread



PureWhite LED Pool and Spa Lamps

## Overall Dimensions (inches)

LPL-PR Series



LPL-M2 Series



## PureWhite LED Pool and Spa Lamps Buying Guide

Model Number	Description	Type	Peak Lumens	Voltage	CCT	Ctn. Qty.	Ctn. Weight
<b>PureWhite-Pro LED Pool and Spa Lamps</b>							
26610	LPL-PR2-CW-120	Pool	3150	120	6500	1	28.5 lbs.
26611	LPL-PR2-WW-120	Pool	2800	120	2700	1	28.5 lbs.
26612	LPL-PR2-CW-12	Pool	3150	12	6500	1	28 lbs.
26613	LPL-PR2-WW-12	Pool	2800	12	2700	1	28 lbs.
26710	LPL-M2-CW-120	Spa	1300	120	6500	1	17 lbs.
26711	LPL-M2-WW-120	Spa	1175	120	2700	1	17.5 lbs.
26712	LPL-M2-CW-12	Spa	1300	12	6500	1	18 lbs.
26713	LPL-M2-WW-12	Spa	1175	12	2700	1	17.5 lbs.
26810	LPL-PRHO-CW-120	Pool	4320	120	6500	1	27 lbs.
26811	LPL-PRHO-WW-120	Pool	4030	120	2700	1	28.5 lbs.

# ColorSplash® LED Lamps

12V AND 120V LED POOL & SPA LAMPS



ColorSplash LED Pool and Spa Lamps

J&J Electronics™ ColorSplash LXG-W Series In-Ground Pool and Spa Lamps offers the advantage of our PureWhite® LED lighting in addition to LED color changing lighting. With a variety of solid colors and color changing lights shows, instantly transform any pool or spa into a custom illuminated paradise. These LED Pool and Spa Replacement Lamps install in minutes and offer the ideal ambiance for playing, relaxing, or entertaining, while providing immediate energy cost savings over traditional incandescent pool lamps. Each lamp includes our Guardian™ replacement pool fixture lens gasket\* which has been designed specifically for use with LED lamps.

## Features

- High output red, green, blue and white LEDs
- Uniformity of light intensity and saturation
- 3-in-1 control – Compatible with Pentair®, Hayward® and Jandy® Automation systems.
- Works with J&J Electronics XG Controller\*\*
- Zero pixelation lens
- Wide beam spread
- Edison base – Compatible with most manufactures fixtures
- 40,000+ hour life span

**NOTE:** \*Fixture Lens Gasket included for use with Pentair® Amerlite™ or Pentair® SpaBrite™ pool light fixtures. Order lens gaskets for other manufactures pool light fixtures separately.

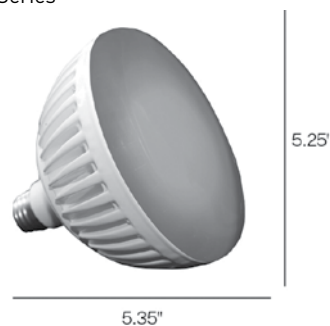
\*\*XG Controller will operate the J&J Electronics light shows only (five solid colors and seven light shows).

## ColorSplash LED Pool and Spa Lamps Buying Guide

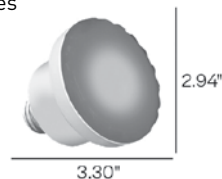
Model Number	Description	Type	Peak Lumens	Voltage	CCT	Ctn. Qty.	Ctn. Weight
<b>ColorSplash LED Pool and Spa Lamps</b>							
26910	LPL-P3-RGBW-120	Pool	1484	120	RGBW	1	2.5 lbs.
26911	LPL-P3-RGBW-12	Pool	1533	12	RGBW	1	2.5 lbs.
26912	LPL-S3-RGBW-120	Spa	366	120	RGBW	1	1.5 lbs.
26913	LPL-S3-RGBW-12	Spa	409	12	RGBW	1	1.5 lbs.

## Overall Dimensions (inches)

LPL-P3 Series



LPL-S3 Series



**GUARDIAN™**  
Silicone Lens Gasket



# ColorSplash® XG Controller

LED POOL AND SPA LIGHT WALL SWITCH

J&J Electronic's™ ColorSplash XG Controller provides complete control of ColorSplash LXG Series pool and spa lamps, XG Series Pool and Spa Fixtures, and Fountain LED Light Fixtures. Control your ColorSplash LED lighting from the palm of your hand, when used with your Bluetooth® enabled smart device.

Can also be operated manually as a push-button station.

## Features

- Bluetooth Enabled – Free app to operate with your Apple® or Android™ smart device.
- Cost Effective – No need for an expensive automation system.
- Compact Size – made to easily replace an existing light switch.
- Will fit most single gang junction boxes.
- Seamless color transitions with the touch of a button.
- Control any combination of ColorSplash LED lights (up to 400 watts).
- User-friendly push button controls for manual operation.



ColorSplash XG Controller

## ColorSplash XG Controller Buying Guide

Model Number	Description	Maximum Load	Wireless	Ctn. Qty.	Ctn. Weight
26043	LPL-XG-CTRL-1	400W	Bluetooth	1	19.5 lbs.

## Overall Dimensions (inches)



# Low Voltage Transformers

J&J ELECTRONICS™ AND SOLLOS®



Pool and Spa

Pool and Spa Light Transformers

## Pool and Spa

### Features

- Operates in harsh environments
- Approved to UL Pool Standards
- Fast Acting – Works Flawlessly with most color changing LED Pool Lights
- Insulated Coil to Reduce Noise
- Removable Mounting Brackets

### Electrical:

- Input Voltage: 120V
- Magnetic circuit breaker for every 300W circuit
- Output Voltage Taps: 12/13/14/15 Volts

### Protection:

- In-line primary overload protection prevents system damage with auto thermal shut-off
- In-line secondary magnetic breaker prevents short circuit protection with reset

### Terminals:

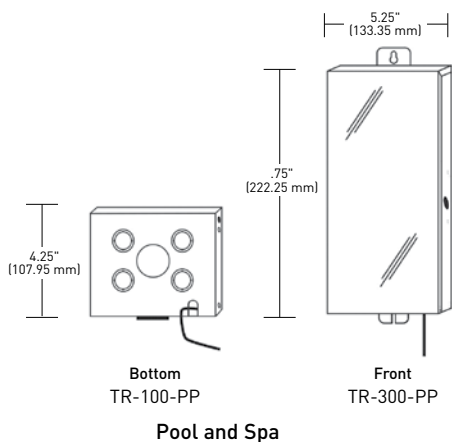
- Extra-large terminal block for convenient low voltage cable connections

## Pool and Spa Light Transformers Buying Guide

Model Number	Description	Finish	Wattage	Ctn. Qty.	Ctn. Weight
<b>12-14V Pool and Spa Light Transformers</b>					
25036	TR-100-PP	Beige	100W	1	7 lbs.
25037	TR-300-PP	Beige	300W	1	195 lbs.

**NOTE:** For use with Landscape ONLY

## Overall Dimensions (inches)



# Low Voltage Transformers

J&J ELECTRONICS™ AND SOLLOS®

## Integrated Series

### Features

#### Transformer Characteristics:

- Integral photocell and timer allow light fixtures to operate manually, automatically, or on a timer
- Automatic operation turns lights on at dusk and off at dawn
- TR12PC-INT-100 Timer Operation: turns lights on at dusk and turns them off four hours, six hours, or eight hours after dusk
- TR15SS-INT-300 Timer Operation: turns lights on at dusk and turns them off one to nine hours after dusk

#### Primary Protection:

- Resettable circuit breaker that prevents overloads and short circuits

#### Wiring:

- Plug-in ready
- 6-foot, grounded, water resistant, heavy gauge power cord

## Integrated Series 2.0

### Features

- Redesigned digital integrated transformers, offering 150W and 300W options to align with industry standards.
- Provide a smaller footprint and have multiple commons and 12/15V taps allowing more wiring options for the installer.
- Easier to wire with new, angled terminal blocks.

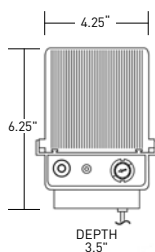


Pool and Spa Light Transformers

## Pool and Spa Light Transformers Buying Guide

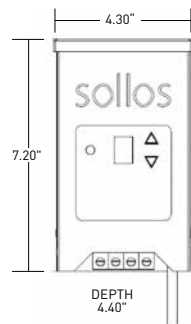
Model Number	Description	Finish	Wattage	Ctn. Qty.	Ctn. Weight
<b>Integrated Series – With Built-In Photocell and Timer</b>					
997012	TR12PC-INT-100	Composite Black	100W	1	23.5 lbs.
997018	TR15SS-INT-300	Stainless Steel	300W	1	34 lbs.
<b>Integrated Series Gen 2 – With Built-In Photocell and Timer</b>					
997015	TR15SS1-INT-150	Stainless Steel	150W	1	34 lbs.
997017	TR15SS1-INT-300	Stainless Steel	300W	1	26 lbs.

### Overall Dimensions (inches)

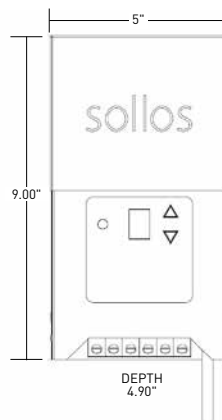


TR12PC-INT-100

Integrated Series



TR15SS1-INT-300



TR15SS1-INT-300

Integrated Series Gen 2

Lighting

# Sollos® Bullet Lights

12V LANDSCAPE LED LIGHTS



Sollos Bullet Lights

## Sollos Bullet Lights Buying Guide

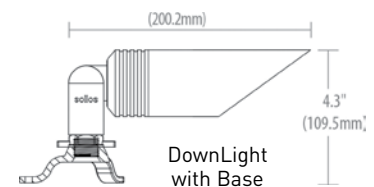
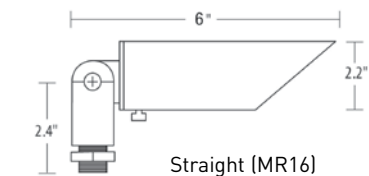
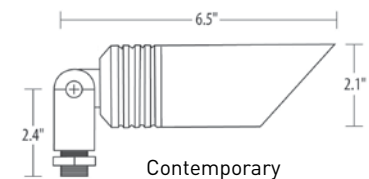
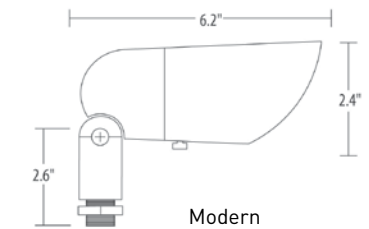
Model Number	Description	Finish	Wattage	Lamp	CCT	Rating	Ctn. Qty.	Ctn. Weight
<b>BCB065 Contemporary Series Bullet - 6.5"</b>								
995502	BCB065-AB	Antique Brass		Fixture Only		—	1	1.9 lbs.
20080S	BCB065-AB-MR16FL4/827/LED	Antique Brass	20W	MR16	2700K	—	1	1.9 lbs.
995506	BCB065-TB	Textured Black		Fixture Only		—	1	1.3 lbs.
<b>BSB067 Straight 6.7" Series Bullet</b>								
995532	BSB067-AB	Antique Brass		Fixture Only		—	1	1.9 lbs.
995536	BSB067-SS	Stainless Steel		Fixture Only		—	1	2.0 lbs.
<b>BSB062 Straight 6.2" Series Bullet</b>								
995310	BSB062-TB	Textured Black		Fixture Only		—	1	1.2 lbs.
995314	BSB062-TZ	Textured Bronze		Fixture Only		—	1	1.2 lbs.
<b>BSB060 Straight 6" Series Bullet</b>								
995304	BSB060-TZ	Textured Bronze		Fixture Only		—	1	1.2 lbs.
<b>DL Down Lights 7.5" with Mounting Base</b>								
995503	DL-BCB075-AB	Antique Brass		Fixture Only (Contemporary)		—	1	2.0 lbs.

Sollos Bullet Lights are available in multiple sizes and finishes. All ground mount fixtures are packaged with a sturdy 8" ground stake and waterproof wire connectors. Sollos lighting offers select fixtures in a kitted version which includes an LED lamp.

### Features

- Fully adjustable swivel arm with locking teeth for angle adjustment with 8" ground stake
- Dual silicone O-ring Seal
- Shock and heat resistant tempered glass lens
- GU5.3 bi-pin socket
- Includes pre-wire 36" lead with 18-2 wire and 2 King®DryConn™ waterproof connectors
- ETL listed to UL 1838 and CSA C22.2 No.250.7
- 5-year warranty on textured finishes, lifetime on natural metal

### Overall Dimensions (inches)





# Sollos® Path Lights

12V LANDSCAPE LED LIGHTS

Sollos Path Lights are available in multiple hat styles, sizes, stem lengths and finishes. Each fixture is packaged with a sturdy 8" ground stake and waterproof wire connectors. Sollos lighting offers select Path Lights in a kitted version which includes an LED lamp.

## Features

- Stepped, threaded collar for tool-less attachment and easy relamping
- Threaded 2.55mm polycarbonate lens
- 4 bi-pin socket
- Includes pre-wire 36" lead with 18-2 wire and 2 King®DryConn™ waterproof connectors
- ETL Listed to UL 1838 and CSA C22.2 No.250.7
- 5-year warranty on textured finishes, lifetime on antique brass or brass. 15-year on copper.

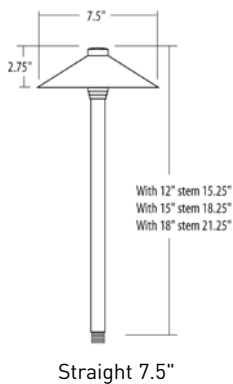
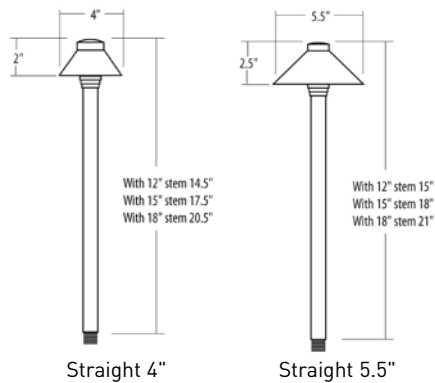


Sollos Path Lights

## Sollos Path Lights Buying Guide

Model Number	Description	Finish	Wattage	Lamp	CCT	Rating	Ctn. Qty.	Ctn. Weight
<b>PSH040 Straight Path Light, 4" Hat</b>								
913028	PSH040-TB-15	Textured Black		Fixture Only		15"	1	1.4 lbs.
<b>PSH055 Straight Path Light, 5.5" Hat</b>								
910028	PSH055-TB-15	Textured Black		Fixture Only		15"	1	1.7 lbs.
<b>PSH075 Straight Path Light, 7.5" Hat</b>								
911028	PSH075-TB-15	Textured Black		Fixture Only		15"	1	2 lbs.
911035	PSH075-TB-18	Textured Black		Fixture Only		18"	1	2 lbs.
915314S	PSH075-TZ-15-JC3/830/IP65/LED	Textured Bronze	20W	JC3	3000K	15"	1	1.9 lbs.
911037	PSH075-TZ-18	Textured Bronze		Fixture Only		18"	1	1.9 lbs.

## Overall Dimensions (inches)



# Sollos® Path Lights

12V LANDSCAPE LED LIGHTS



Sollos Path Lights are available in multiple hat styles, sizes, stem lengths and finishes. Each fixture is packaged with a sturdy 8" ground stake and waterproof wire connectors. Sollos lighting offers select Path Lights in a kitted version which includes an LED lamp.

### Features

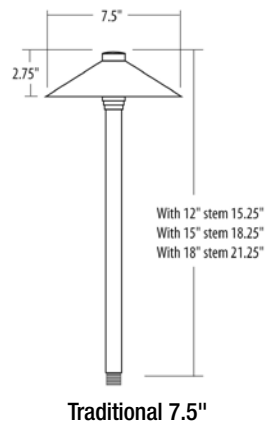
- Stepped, threaded collar for tool-less attachment and easy relamping
- Threaded 2.55mm polycarbonate lens
- G4 bi-pin socket
- Includes pre-wire 36" lead with 18-2 wire and 2 King®DryConn™ waterproof connectors
- ETL Listed to UL 1838 and CSA C22.2 No.250.7
- 5-year warranty on textured finishes, lifetime on antique brass or brass. 15-year on copper.

Sollos Path Traditional Lights

## Sollos Path Traditional Lights Buying Guide

Model Number	Description	Finish	Wattage	Lamp	CCT	Rating	Ctn. Qty.	Ctn. Weight
<b>PTH075 Traditional Path Light, 7.5" Hat</b>								
915514	PTH075-AB-18	Antique Brass		Fixture Only		18"	1	2.8 lbs.
915514S	PTH075-AB-18-JC3/830/IP65/LED	Antique Brass	20W	JC3	3000K	18"	1	3 lbs.
915567	PTH075-SS-18	Stainless Steel		Fixture Only		18"	1	3 lbs.

### Overall Dimensions (inches)



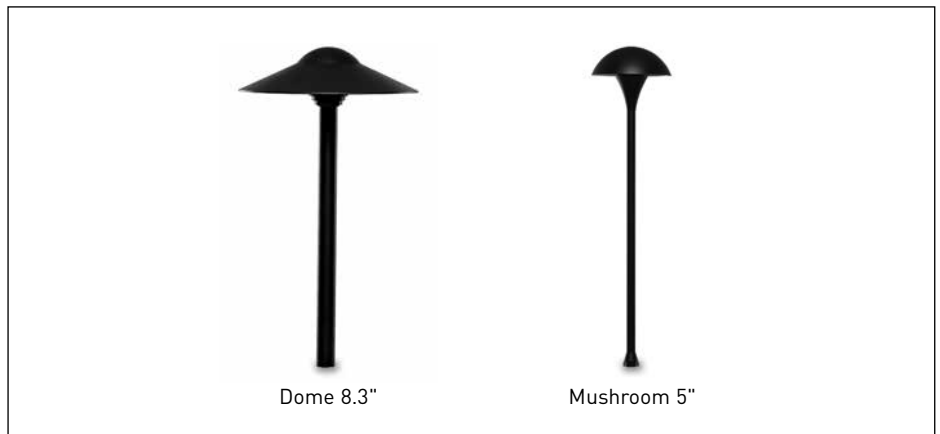
# Sollos® Path Lights

12V LANDSCAPE LED LIGHTS

Sollos Path Lights are available in multiple hat styles, sizes, stem lengths and finishes. Each fixture is packaged with a sturdy 8" ground stake and waterproof wire connectors. Sollos lighting offers select Path Lights in a kitted version which includes an LED lamp.

## Features

- Stepped, threaded collar for tool-less attachment and easy relamping
- Threaded 2.55mm polycarbonate lens
- G4 bi-pin socket
- Includes pre-wire 36" lead with 18-2 wire and 2 King®DryConn™ waterproof connectors
- ETL Listed to UL 1838 and CSA C22.2 No.250.7
- 5-year warranty on textured finishes, lifetime on antique brass or brass. 15-year on copper.

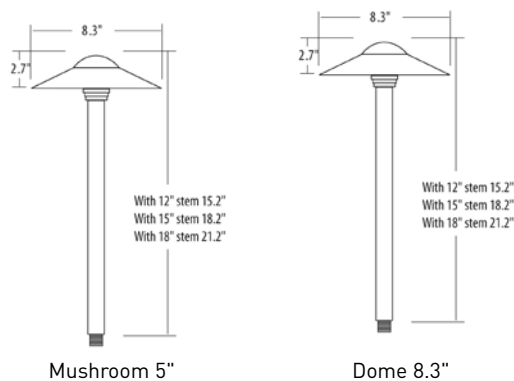


Sollos Path Modern, Dome and Mushroom Lights

## Sollos Path Dome & Mushroom Lights Buying Guide

Model Number	Description	Finish	Wattage	Lamp	CCT	Rating	Ctn. Qty.	Ctn. Weight
<b>PDO083 Dome Path Light, 8.3" Hat</b>								
915021	PDO083-TB-12	Textured Black		Fixture Only		12"	12	2 lbs.
915028	PDO083-TB-15	Textured Black		Fixture Only		15"	12	2 lbs.
915035	PDO083-TB-18	Textured Black		Fixture Only		18"	12	2 lbs.
<b>PMU050 Mushroom Path Light, 5" Hat</b>								
912003	PMU050-TB-15	Textured Black		Fixture Only		15"	12	2.2 lbs.

## Overall Dimensions (inches)



# Sollos® Path Lights

12V LANDSCAPE LED LIGHTS



Sollos Modern Path Lights

Sollos Path Lights are available in multiple hat styles, sizes, stem lengths and finishes. Each fixture is packaged with a sturdy 8" ground stake and waterproof wire connectors. Sollos lighting offers select Path Lights in a kitted version which includes an LED lamp.

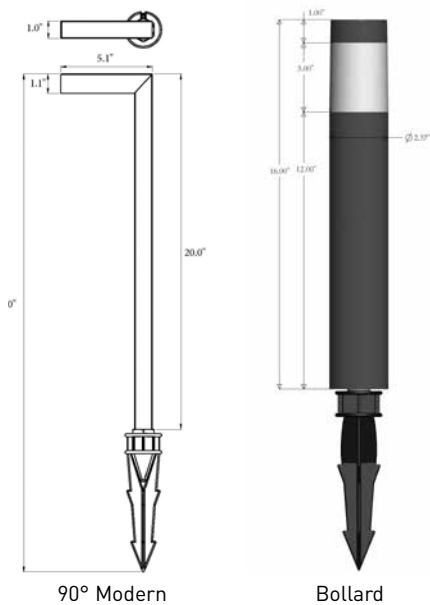
### Features

- Stepped, threaded collar for tool-less attachment and easy relamping
- Threaded 2.55mm polycarbonate lens
- G4 bi-pin socket
- Includes pre-wire 36" lead with 18-2 wire and 2 King®DryConn™ waterproof connectors
- ETL Listed to UL 1838 and CSA C22.2 No.250.7
- 5-year warranty on textured finishes, lifetime on antique brass or brass. 15-year on copper.

## Sollos Modern Path Lights Buying Guide

Model Number	Description	Finish	Wattage	Lamp	CCT	Rating	Ctn. Qty.	Ctn. Weight
<b>90° Modern Path Light</b>								
27533	P90-TZ-20	Textured Bronze		Fixture Only		20"	1	1.4 lbs.
27530	P90-TB-20	Textured Black		Fixture Only		20"	1	1.4 lbs.
27536	P90-AB-20	Antique Brass		Fixture Only		20"	1	2.1 lbs.

### Overall Dimensions (inches)



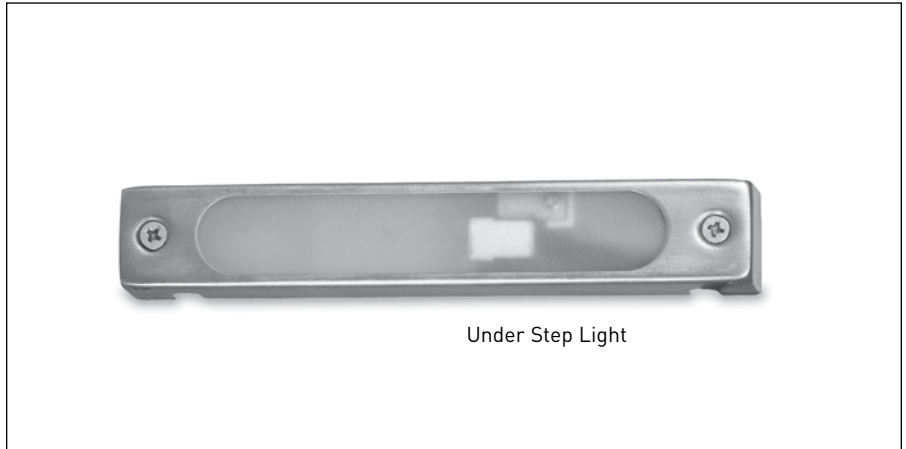
# Sollos® Step Lights

12V LANDSCAPE LED LIGHTS

Sollos Step Lights are available in multiple styles, configurations and finishes. Each fixture is packaged with waterproof wire connectors. Sollos lighting offers select fixtures in a kitted version which includes an LED lamp.

## Features

- Low profile design that delivers uniform illumination to accentuate key hardscape features
- Shock and heat resistant tempered glass lens
- GU4 bi-pin socket
- Includes pre-wire 36" lead with 18-2 wire and 2 King®DryConn™ waterproof connectors. (LLA055 SKU's include 10' of 18-2 wire)
- ETL Listed to UL 1838 and CSA C22.2 No.250.7
- 5-year Warranty on Textured finishes, lifetime on antique brass or brass. 15-year on copper.



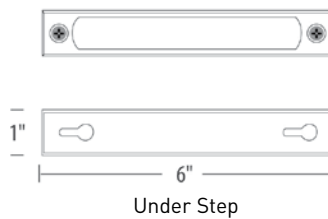
Under Step Light

Sollos Step Lights

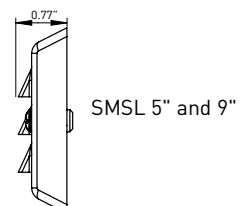
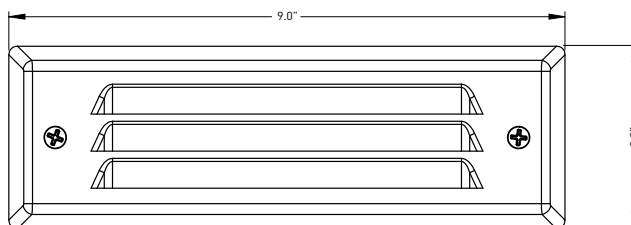
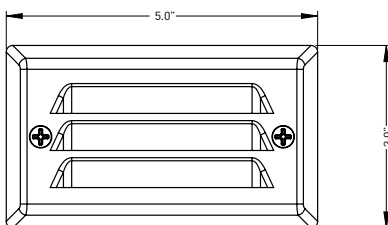
## Sollos Step Lights Buying Guide

Model Number	Description	Finish	Wattage	Lamp	CCT	Rating	Ctn. Qty.	Ctn. Weight
<b>Under Step Lights - 6"</b>								
<b>SMSL - 3" x 9"</b>								
27523	SMSL090/827/TB	Textured Black					1	1.8 lbs.
27525	SMSL090/827/AB	Antique Brass					1	2 lbs.

## Overall Dimensions (inches)

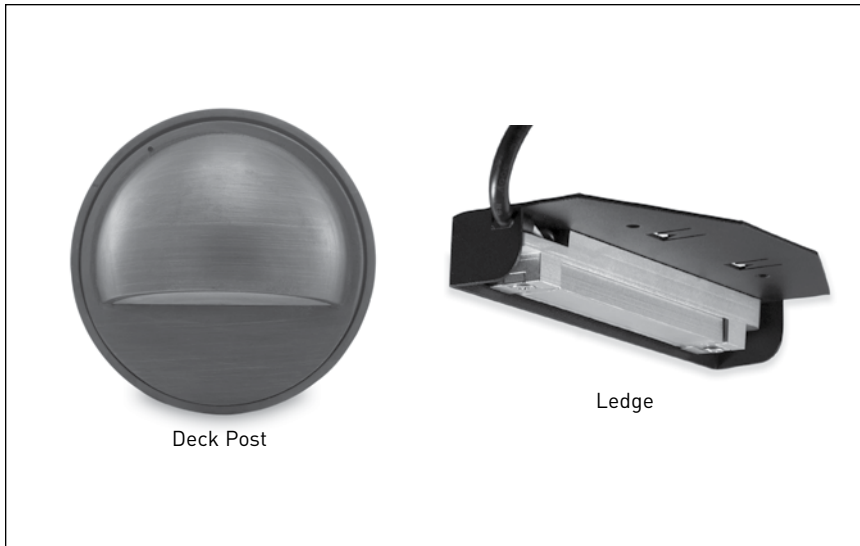


Under Step



# Sollos® Step & Ledge Lights

12V LANDSCAPE LED LIGHTS



Sollos Ledge, Step and Post Lights

Sollos Step Lights are available in multiple styles, configurations and finishes. Each fixture is packaged with waterproof wire connectors. Sollos lighting offers select fixtures in a kitted version which includes an LED lamp.

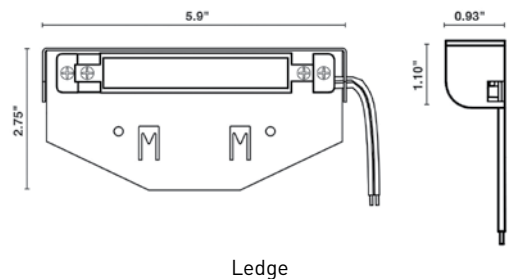
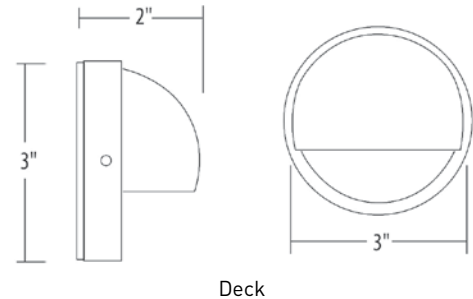
## Features

- Low profile design that delivers uniform illumination to accentuate key hardscape features
- Shock and heat resistant tempered glass lens
- GU4 bi-pin socket
- Includes pre-wire 36" lead with 18-2 wire and 2 King®DryConn™ waterproof connectors. (LLA055 SKU's include 10' of 18-2 wire)
- ETL Listed to UL 1838 and CSA C22.2 No.250.7
- 5-year warranty on textured finishes, lifetime on antique brass or brass. 15-year on copper.

## Sollos Ledge, Step and Post Lights Buying Guide

Model Number	Description	Finish	Wattage	Lamp	CCT	Rating	Ctn. Qty.	Ctn. Weight
<b>LLA055 Ledge Lights</b>								
99960	LLA055/827/TB	Textured Black	1W	Ledge	2700K	IP65	1/24	0.7 lbs.
99980	LLA055/827/AB	Antique Brass	1W	Ledge	2700K	IP65	1/24	0.9 lbs.
99964	LLA055/827	Lamp Only	1W	Ledge	2700K	—	1/24	0.2 lbs.
<b>Deck Post Lights</b>								
940002	DPL033-TB	Textured Black		Fixture Only			1	0.7 lbs.

## Overall Dimensions (inches)



# Sollos® Step Lights

12V LANDSCAPE LED LIGHTS

Sollos Flood, In-Ground, Well and Underwater Lights are available in multiple styles, configurations and finishes. Each fixture is packaged with waterproof wire connectors. Sollos lighting offers select fixtures in a kitted version which includes an LED lamp.

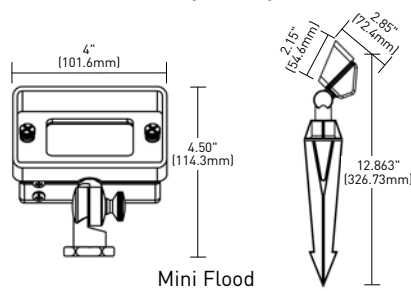
## Features

- Small footprint, with maximum light delivery and coverage
- Fixtures are offered in aluminum or heavy duty construction antique brass
- Shock and heat resistant tempered glass lens
- G4 bi-pin socket
- Includes pre-wire 36" lead with 18-2 wire and 2 King®DryConn™ waterproof connectors.
- ETL Listed to UL 1838 and CSA C22.2 No.250.7
- 5-year warranty on textured finishes, lifetime on antique brass or brass. 15-year on copper.

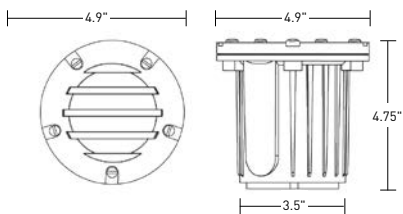


Sollos Flood, In-Ground and Well Lights

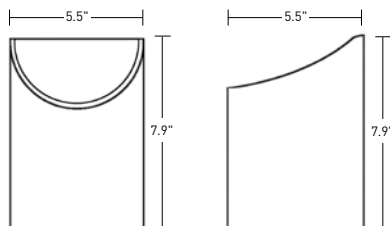
## Overall Dimensions (inches)



Mini Flood



Inground



Well

## Sollos Flood, In-Ground, and Well Lights Buying Guide

Model Number	Description	Finish	Wattage	Lamp	CCT	Rating	Ctn. Qty.	Ctn. Weight
<b>FRF057 Mini Floods</b>								
995407	FRF057-TB	Textured Black		Fixture Only		—	1	1.2 lbs.
<b>Inground Light Fixtures – Not for use with concrete</b>								
996100	IGT049-CB	Composite Black		Fixture Only		Trim Ring	1	1.6 lbs.
<b>WPO055 Well Lights – Not for use with concrete</b>								
996300	WPO055-CB	Composite Black		Fixture Only		—	1	1.6 lbs.
932018S	WPO055-CB-PAR36/ WFL6/827/IP67/LED	Composite Black	35W	PAR36 Equiv.	2700K	—	1	3 lbs.

# Sollos® Hanging Lights

12V LANDSCAPE LED LIGHTS



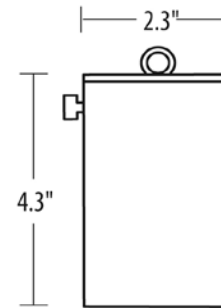
Sollos Hanging Light

Traditional design that delivers uniform illumination to accentuate key hardscape features. Housing for additional architectural appeal.

### Features

- Fully adjustable swivel arm with locking teeth for angle adjustment with 8" ground stake
- Dual Silicone O-Ring Seal
- Shock and heat resistant tempered glass lens
- GU5.3 bi-pin socket
- Includes pre-wire 36" lead with 18-2 wire and 2 King®DryConn™ waterproof connectors
- ETL Listed to UL 1838 and CSA C22.2 No.250.7
- 5-year warranty on textured finishes, lifetime on natural metal.

### Overall Dimensions (inches)



## Sollos Hanging Lights Buying Guide

Model Number	Description	Finish	Wattage	Lamp	CCT	Ctn. Qty.	Ctn. Weight
<b>HLS043 Hanging Lights</b>							
997402	HLS043-AB	Antique Brass		Fixture Only		1	1.4 lbs.

# Sollos® Accessories

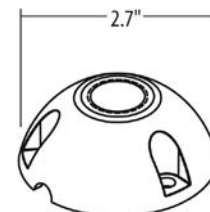
12V LANDSCAPE LED LIGHTS



Mounting Plate

Sollos Accessories – Deck Mount

### Overall Dimensions (inches)



Mounting Plate

## Sollos Accessories Buying Guide

Model Number	Description	Finish	Wattage	Lamp	Rating	Ctn. Qty.	Ctn. Weight
<b>Risers, Deck Mount, Timers and Photocells</b>							
998142	DMT027-AB	Antique Brass		Mounting Plate		1	7 lbs.
998140	DMT027-TB	Textured Black		Mounting Plate		1	2 lbs.



*No Pool is Complete without a Stunning Statement Piece.*

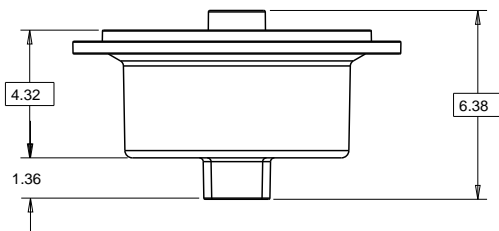
LED WaterBowls from Hayward make an elegant addition to any new build or renovation, helping to transform the space with a stunning architectural focal point. Built with soothing LED lighting that integrates seamlessly with Omni® automation and transitions effortlessly from day to night, WaterBowls are the perfect way for pool owners to add a personal touch to the backyard with unprecedented convenience.

**Features**

- Light offers 10 fixed colours and 7 colour-changing light shows
- OmniDirect Mode™ compatible for additional lighting shows and colours, dimming control and more
- Square or round base shapes available
- Available in tempered glass or 7 different metallic composite finishes
- Sculpted from durable, UV-resistant material

Flow Rate	
GPM Range	Outcome
< 10	Not enough water flow
10-24 gpm	Acceptable range
15-20 gpm	“Ideal” range
≥ 25 gpm	Bowl will overflow

**Overall Dimensions of Niche (inches)**



Resin & Glass WaterBowls

**WaterBowls Buying Guide**

Model Number	Finish	Shape	Ctn. Qty	Ctn. Weight
<b>WaterBowls Only</b>				
WFBRNDBRS	Brass	Round	1	65 lbs.
WFBSQRBR	Brass	Square	1	65 lbs.
WFBRNDBRNZ	Bronze	Round	1	65 lbs.
WFBSQRBRNZ	Bronze	Square	1	65 lbs.
WFBRNDCPR	Copper	Round	1	65 lbs.
WFBSQRCP	Copper	Square	1	65 lbs.
WFBRNDGRY	Gray	Round	1	65 lbs.
WFBSQRGRY	Gray	Square	1	65 lbs.
WFBRNDNAT	Natural	Round	1	65 lbs.
WFBSQRNAT	Natural	Square	1	65 lbs.
WFBRNDPEW	Pewter	Round	1	65 lbs.
WFBSQRPEW	Pewter	Square	1	65 lbs.
WFBRNDCLR	Glass	Round	1	65 lbs.
WFBSQRCLR	Glass	Square	1	65 lbs.

Model Number	Description	Ctn. Qty	Weight
--------------	-------------	----------	--------

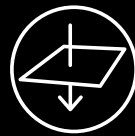
**LED Light with Niche**

LBCUS11100	Waterbowl 100' Led Light with Niche	1	10 lbs.
LBCUS11150	Waterbowl 150' Led Light with Niche	1	15 lbs.

**Spares**

GLXWBNICHE	Bowl Niche Replacement Kit	1	5 lbs.
GLXWBGSK	Bowl Gasket Replacement Kit	1	1 lb.
GLXWBBKHD	Bowl Bulkhead and Nut Replacement Kit	1	5 lbs.
GLXWFBSCUPSQR	SCUPPER – for Square Bowl Kit (S/S)	1	1 lb.
GLXWFBSCUPRND	SCUPPER – for Round Bowl Kit (S/S)	1	1 lb.
GLXWFBSPCTCLR	Bowl Water Spout Replacement Kit 'Clear'	1	1 lb.
GLXWFBSPACE	Lower Spacer 1/2" for 'Glass' Bowl Kit	1	1 lb.
GLXWBCLRGSK	Bowl Gasket Replacement Kit 'Clear'	1	1 lb.
GLXWBBKCLRHD	Bowl Bulkhead and Nut Replacement Kit 'Clear'	1	5 lbs.

# 2024 REPLACEMENT PARTS



Supersedes all price lists of prior dates. Please see Terms & Conditions of Sale, inside back cover.

---

---

**PUMPS — PARTS DIAGRAMS**

---

TriStar XL .....	42
TriStar XE .....	43
Super Pump XE .....	44
MaxFlo XE .....	45

---

**HEATERS — PARTS DIAGRAMS**

---

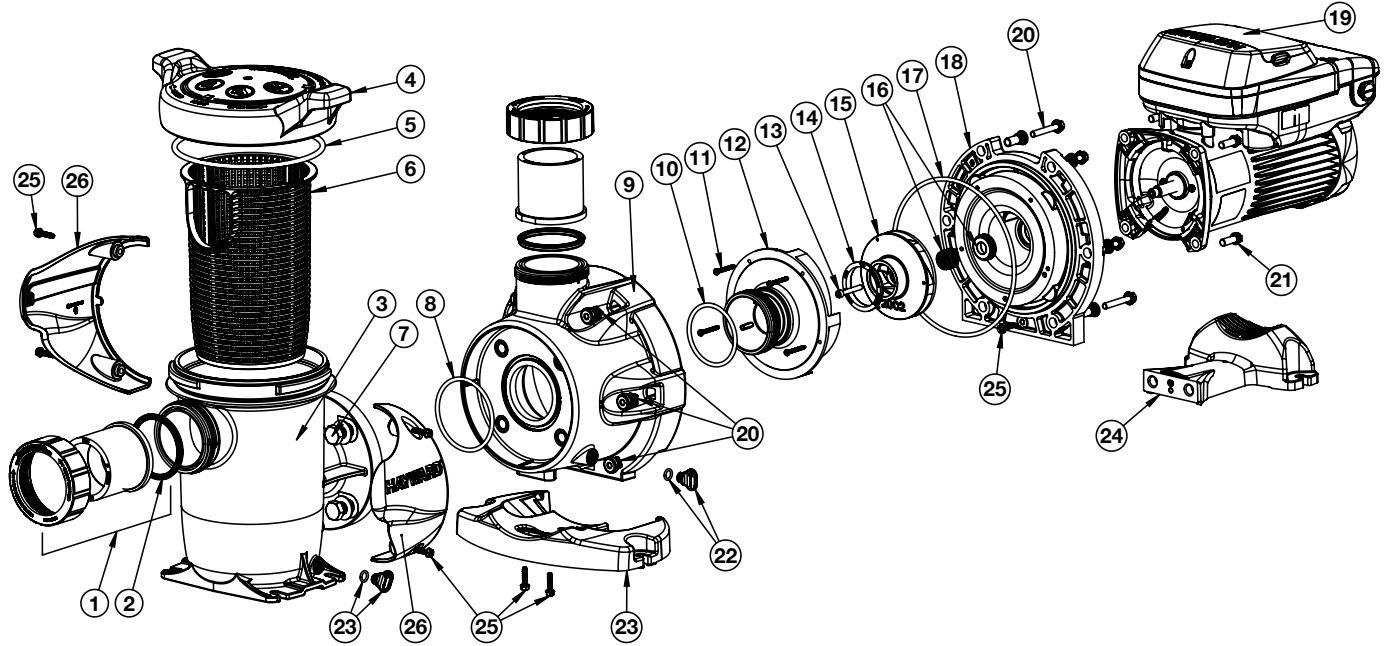
Heat Pro VS .....	46-47
HP55CLEE1 Heat Pump .....	48-49
HP60CLEE1 Heat Pump .....	50-51
HP80CLEE1 Heat Pump .....	52-53
Universal HC Series Small Footprint Heater .....	54-55

# TriStar XL®

HCP 3000 PUMP SERIES (ENERGY EFFICIENT, FULL-RATED) REPLACEMENT PARTS

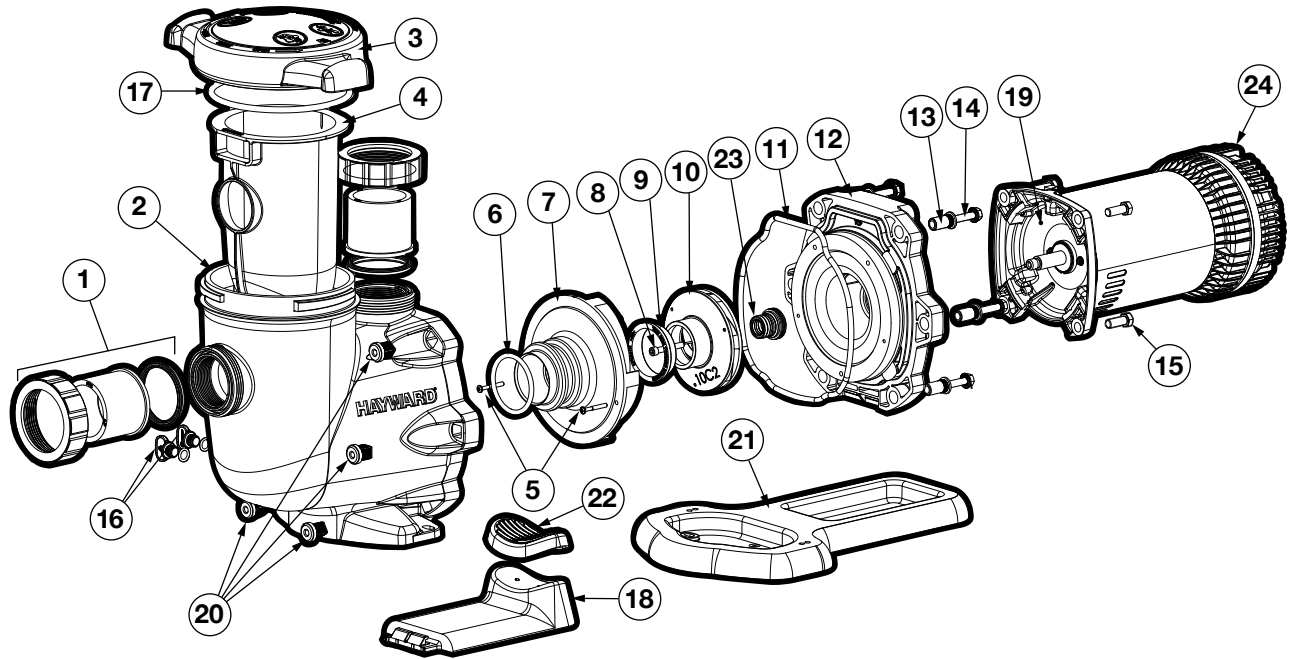
Pumps

## Part Diagram and Parts Listing



Ref. No.	Part No.	Description	Ctn. Qty.
1	HCXP3000UNKIT	Union Connector Kit (Includes Union Nut, Union Connector, Union Gasket (2 each))	5
2	HCXP3000UG	Union Gasket	10
3	HCXP3000H	Strainer Housing with Drain Plug	1
4	HCXP3000DLS	Strainer Cover Kit (Includes Strainer Cover, Lock Ring, O-Ring)	5
5	SPX4000S	Strainer Cover O-Ring	50
6	HCXP3000M	Strainer Basket	1
7	HCXP3000Z3	Strainer Housing Flange Bolt/Washer (4 each)	10
8	HCXP343V70	Strainer Housing Flange O-Ring	10
9	HCXP3000A	Pump Housing with Drain Plug	1
10	HCXP338V60	Diffuser O-Ring	10
11	SPX2700Z3SSPAK4	Diffuser Screws (4 Pack)	10
12	HCXP3000B	Diffuser, 2 – 5 HP	1
13	SPX3200Z1	Impeller Screw	50
14	HCXP3000R	Impeller Ring, 2 – 5 HP	10
15	HCXP3020C	2 HP Impeller with Impeller Screw	10
16	SPX4000SAV	Shaft Seal Assembly	10
17	HCXP369V70	Pump Housing O-Ring	10
18	HCXP3000E	Seal Plate	1
19	SPX3200LCD	Digital Control Interface Assembly	1
20	SPX3200Z3	Housing Bolt	50
21	SPX3200Z34PAK4	Motor Bolt (4 Pack)	10
22	SPX4000FG	Housing Plug With Gasket	50
23	HCXP3000F	Pump Housing Base	10
24	HCXP3000G	Motor Support Base	10
25	SPX1600Z5SS	Base Screws (7 Pack)	10
26	HCXP3000N250	Right and Left Side Plate Set, Platinum	5
—	HCXP3020Z1VSPE	Motor Power End	1

Parts for Pump Models: SP3207X10XE, SP3210X15XE, SP3215X20XE



Ref. No.	Part No.	Description	Ctn. Qty.
1	SPX3200UNKIT	Union Connector Kit (Includes 2 Nuts, Connectors, Gaskets)	10
2	SPX3200A	Pump Strainer Housing, 2" x 2 1/2" with Drain Plugs	1
3	SPX3200DLS	Strainer Cover Kit (Includes Strainer Cover, Lock Ring, O-Ring)	10
4	SPX3200M	Strainer Basket	2
5	SPX3200Z8	Diffuser Screw	50
6	SPX4000Z1	Diffuser O-Ring	50
7	SPX3200B3	Diffuser	5
8	SPX3200Z1	Impeller Screw	50
9	SPX3021R	Impeller Ring	50
10a	SPX3207C	1.25 THP Impeller with Impeller Screw	10
10b	SPX3210C	1.85 THP Impeller with Impeller Screw	10
10c	SPX3215C	2.25 THP Impeller with Impeller Screw	10
11	SPX3200T	Housing O-Ring	50
12	SPX3200E	Seal Plate	5
13	SPX3200Z211	Housing Insert/Seal Plate Spacer Kit	50
14	SPX3200Z3	Housing Bolt	50
15	SPX3200Z5PAK4	Motor Bolt (package of 4)	50
16	SPX4000FG	Drain Plug with O-Ring	50
17	SPX3200S	Strainer O-Ring	50
18	SPX3200GA	Motor Support	5
19a	SPX3207X10XEPE	1.25 H.P. Power End (Includes items 5–12, 15, 18, 19, 22, 23)	1
19b	SPX3210X15XEPE	1.85 H.P. Power End (Includes items 5–12, 15, 18, 19, 22, 23)	1
19c	SPX3215X20XEPE	2.25 H.P. Power End (Includes 5–12, 15, 18, 19, 22, 23)	1
20	SPX3200Z211	Housing Insert/Seal Plate Spacer Kit	50
21a	SPX3200WF	Optional Riser Base (aligns with Pentair® WhisperFlo® pump)	1
21b	SPX3200SR	Optional Riser Base (aligns with Pentair WhisperFlo pump)	1
22	SPX3200Q2	Motor Support Adapter	100
23a	SPX3200SA	Shaft Seal Assembly	10
23b	SPX4000SAV	Shaft Seal Assembly (Viton®)	10
24	SPXBTNXE	XE Button Replacement	1

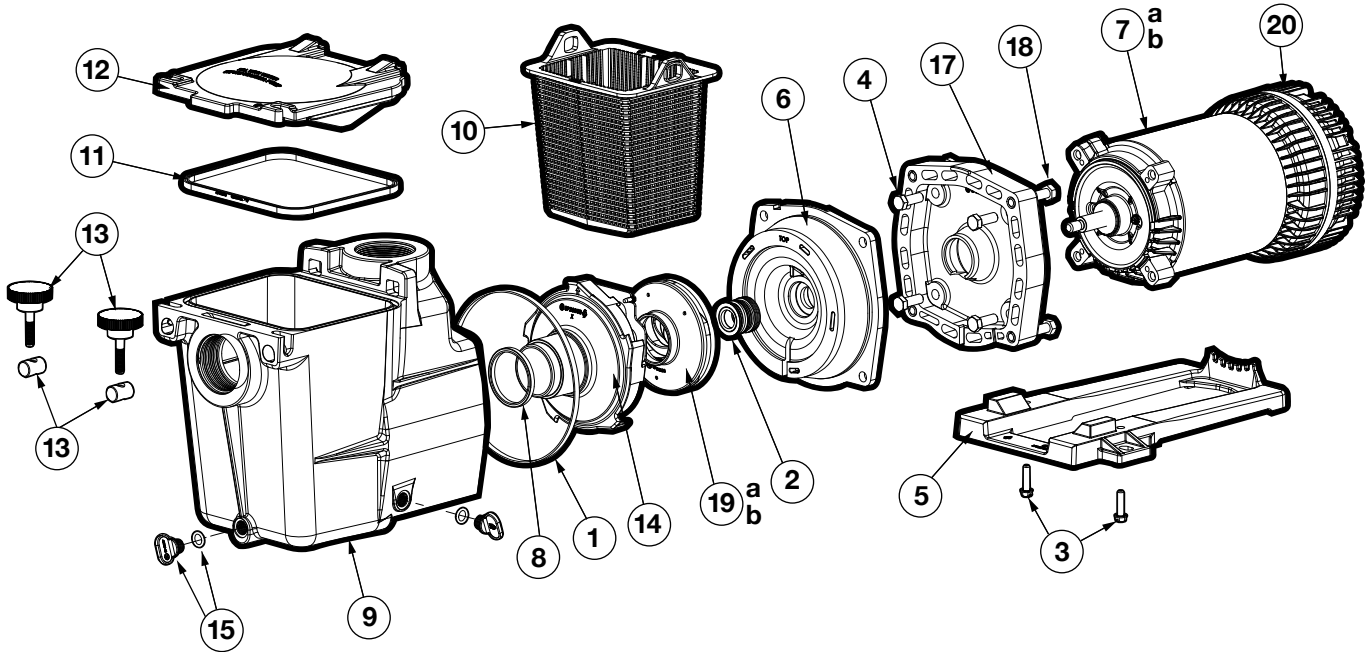
Replacement dedicated-purpose pool pump motors that are single-phase and 0.5 Total HP or greater but not variable speed cannot be offered for final retail sale in California per Title 20 CCR Section 1601-1609.

# Super Pump™ XE

PUMP SERIES REPLACEMENT PARTS

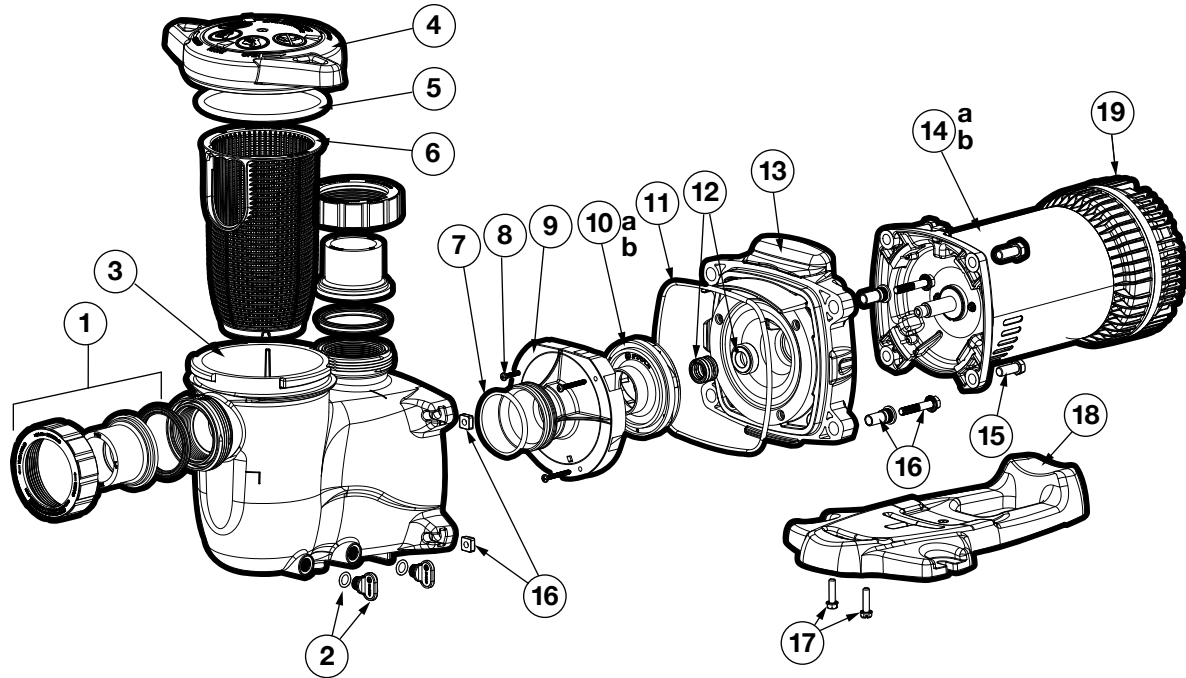
Pumps

Parts for Pump Models: SP2610X15XE, SP2615X20XE



Ref. No.	Part No.	Description	Ctn. Qty.
1	SPX1600T	Housing Gasket	50
2a	SPX1600Z2	Shaft Seal Assembly	10
2b	SPX1600Z2VIT	Shaft Seal Assembly (Viton®)	10
3	SPX1600Z52	Mounting Foot Screws (Set of 2)	1
4	SPX3200Z5PAK4	Motor Cap Screws (Set of 4)	50
5	SPX2600G1	Mounting Foot, VSP (Includes Screws)	10
6	SPX2600E5	Seal Plate	10
7a	SPX2610X15XEPE	1.65 H.P. Power End (Includes items 2, 4, 6–8, 14, 17, 19)	1
7b	SPX2615X20XEPE	2.25 H.P. Power End (Includes items 2, 4, 6–8, 14, 17, 19)	1
8	SPX1600R	Diffuser Gasket	25
9	SPX1620AA	Pump Strainer Housing with Gasket	1
10	SPX1600M	Basket	20
11	SPX1600S	Strainer Cover Gasket	50
12	SPX1600D	Strainer Cover	10
13	SPX1600PN	Swivel Nut and Hand Knob	100
14	SPX2600B	Diffuser	10
15	SPX1700FG	Drain Plug with Gasket	50
17	SPX1600F5	Motor Mounting Plate	10
18	SPX1600Z4	Housing Cap Screw	25
19a	SPX2610C	1.65 THP Impeller	20
19b	SPX2615C	2.25 THP Impeller	25
20	SPXBTNXE	XE Button Replacement	1

Parts for Pump Models: SP2310X15XE, SP2315X20XE

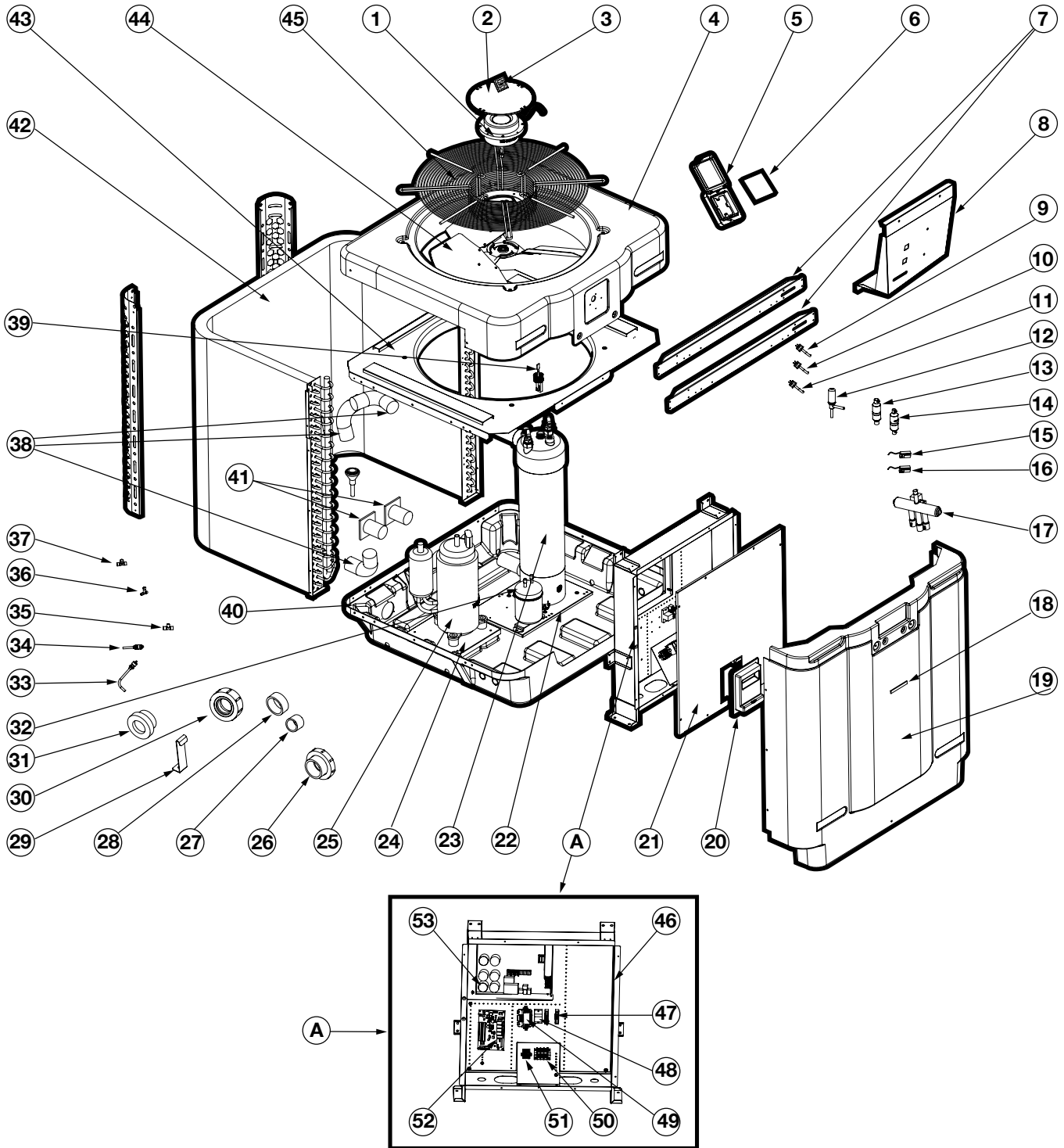


Ref. No.	Part No.	Description	Ctn. Qty.
1	SPX2700UNKIT	Union Connector Kit (Includes 2 Nuts, Connectors, Gaskets)	10
2	SPX4000FG	Drain Plug with O-Ring	50
3	SPX2300AA	Pump Strainer Housing with Drain Plugs	1
4	SPX2300DLS	Strainer Cover Kit (Includes Strainer Cover, Lock-Ring, O-Ring)	10
5	SPX2300Z4	Strainer Cover O-Ring	50
6	SPX2300M	Strainer Basket	5
7	SX220Z2	Diffuser O-Ring	10
8	SPX2300Z3PAK3	Diffuser Screws (3 Pack)	50
9	SPX2300B	Diffuser	5
10a	SPX2710CM	1.65 THP Impeller	10
10b	SPX2715CM	2.25 THP Impeller	10
11	GMX600F	Housing O-Ring	100
12a	SPX2700SA	Shaft Seal Assembly	10
12b	SPX2700SAV	Shaft Seal Assembly (Viton®)	10
13	SPX2300E	Seal Plate	5
14a	SPX2310X15XEPE	1.65 HP Power End (Includes items 7–15)	1
14b	SPX2315X20XEPE	2.25 HP Power End (Includes items 7–15)	1
15	SPX3200Z5PAK4	Motor Bolt (package of 4)	50
16	SPX2700ZPAK	Hardware Pack (Includes 4 Housing Bolts, Seal-Plate Spacers, Square Nuts)	10
17	SPX1600Z52	Motor Support Base Mount Screws	1
18	SPX2300G	Motor Support (VSP) with Base Mount Screws	5
19	SPXBTNXE	XE Button Replacement	1

# HP50952T

IN-GROUND POOL AND SPA REPLACEMENT PARTS

Parts Listing: HP50952T



Heating



### Parts Listing: HP50952T

Ref. No.	Part No.	Description	Ctn. Qty.
1	HPX20000390223	Axial Flow Fan Motor	1
2	HPX20000220320	Cover Plate	1
3	HPX83700122	The Trademark	—
4	HPX80900744	The Top	—
5	HPX80900320	Rain Guard	—
6	HPX82300038	CP203	1
7	HPX80705635	The Beam	—
8	HPX32004210137	The Fan Guard	1
9	HPX20000360187	Pressure Switch	20
10	HPX20000360052	Pressure Switch	20
11	HPX20000360054	Pressure Switch	20
12	HPX20000140401	Electronic Expansion Valve	20
13	HPX20000140027	The Filter	1
14	HPX2004-1444	The Filter	40
15	HPX2000-3242	Thermistor	120
16	HPX20003223	Thermistor	2
17	HPX20011491	Four-Way Valve	1
18	HPX83700118	The Trademark	—
19	HPX80900745	The Front Panel	—
20	HPX20000220247	The Junction Box Body	1
21	HPX80705636	Electrical Plate	—
22	HPX32004210135	Titanium Pipe Support	1
23	HPX32016120011	Titanium Tube Heat Exchanger	1
24	HPX32004210134	Press Stents	1
25	HPX20000110373	Compressor	1
26	HPX81800023	Adapter	1
27	HPX81800029	Pipe	1
28	SPX3200UNKIT	Union	10
29	HPX80705641	Fixed Bracket	—
30	HPX81800025	Nut	1
31	SPX3200UNADP	Butt Nipple with Gasket	10
32	HPX72200101-B	Liquid Storage Tank	—
33	HPX20000-140150	Needle Valve	1
34	HPX20000-140512	Needle Valve	—
35	HPX304030-00002	Tee	1
36	HPX2000-1460	Tee	2
37	HPX2000-1435	Tee	—
38	HPX2001-1359	The 90° Elbow	—
39	HPX20000-360005	Water Flow Switch (Mould)	—
40	HPX80900743	Chassis	—
41	HPX20031379	Joint	1
42	HPX80600731	Finned Heat Exchanger	1
43	HPX32015210035	Top Support Plate Component	1
44	HPX20000270057	Axial Flow Fan	1
45	HPX80700160	Fan Nets with Plastic Cover	—
46	HPX80707055	Electrical Box Liner	—
47	HPX2000-3909	Two Socket	25
48	HPX20000-360297	Relay	—
49	HPX20000-360006	Single Phase AC Contactor	5
50	HPX20000390223	Three Terminal Blocks	1
51	HPX20000390046	Terminal	10
52	HPX95005-310569-B	PC1002	—
53	HPX82300018	Variable Frequency Driver Module	1



# HP55CLEE1

## HEAT PUMP REPLACEMENT PARTS

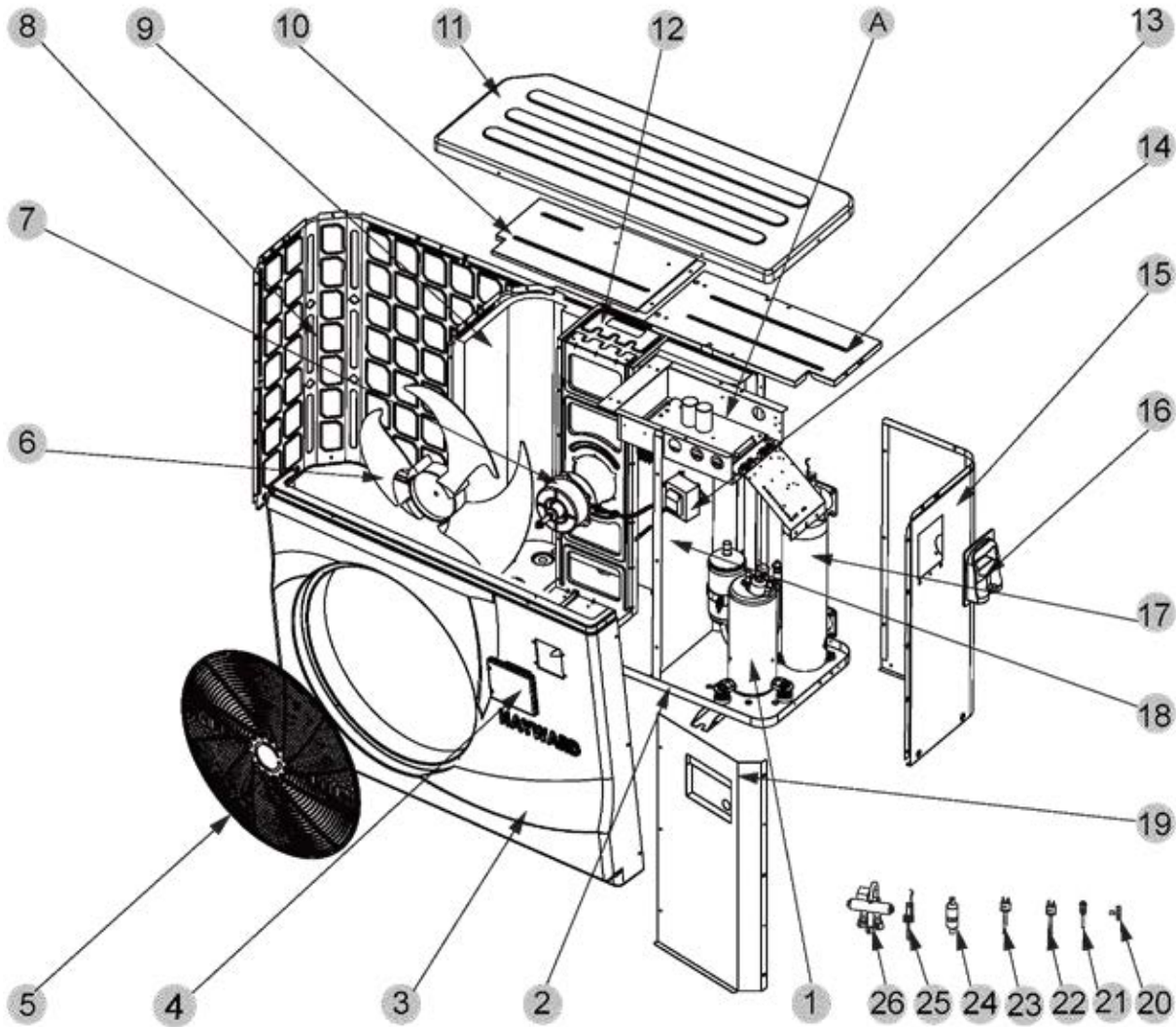
### Parts Listing: HP55CLEE1

Ref. No.	Part No.	Description	Qty.
1	HPX80100139	Compressor	1
2	HPX80700454	Chassis Assembly	1
3	HPX809000000085	Front Panel	1
4	HPX72200516	LED206	1
5	HPX20000-220369	Fan Net	1
6	HPX20000-270004	Axial Fan Blade	1
7	HPX20000-330132	Fan Motor	1
8	HPX807000000727	Left Side Panel	1
9	HPX80600044	Finned Heat Exchanger	1
10	HPX80715865	Support Plate	1
11	HPX301090-20080006	Top Cover	1
12	HPX80718435	Motor Bracket Assembly	1
13	HPX80723121	Electrical Box Cover	1
14	HPX82500021	Reactor	1
15	HPX80721065	Right Side Panel	1
16	HPX32009-220029	Junction Box Body	1
17	HPX72300016	Titanium Tube Heat Exchanger	1
18	HPX80715858	Middle Baffle	1
19	HPX807000001307	Connect the Board Assembly	1
20	HPX2000-1460	Three Links	1
21	HPX20000-140150	Needle Valve	1
22	HPX20000-360157	Low Pressure Switch	1
23	HPX2001-3605	High Pressure Switch	1
24	HPX2000-1499	Filter	2
25	HPX83000068	Flow Switch	1
26	HPX2004-1437	Four-Way Valve	1
27	HPX20000-360006	AC Contactor	1
28	HPX20000-360297	Relay	1
29	HPX20000-390231	5-Position Terminal Block	1
30	HPX20000-390047	Terminal Block	1
31	HPX20000-390046	Terminals	1
32	HPX20000-390049	Terminals	1
33	HPX2000-3909	2-Position Terminal Block	2
34	HPX722000000011	Driver Board	1
35	HPX80715860	Electrical Box Assembly	1

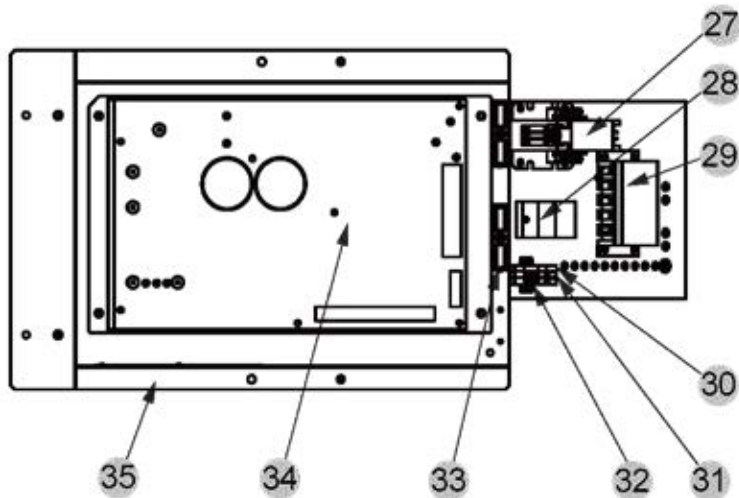
# HP6oCLEE1

## HEAT PUMP REPLACEMENT PARTS

### Parts Diagram - HP60CLEE1



A



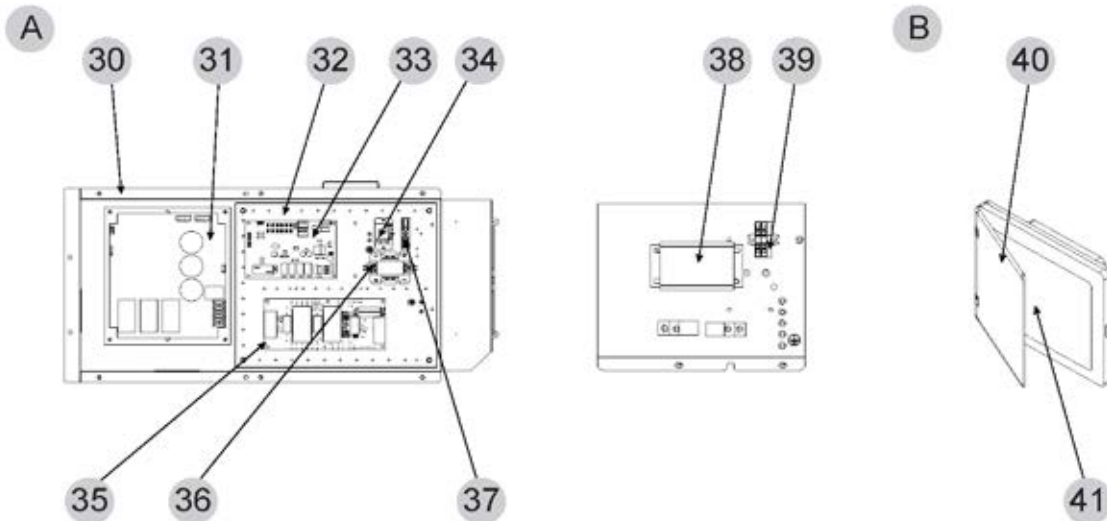
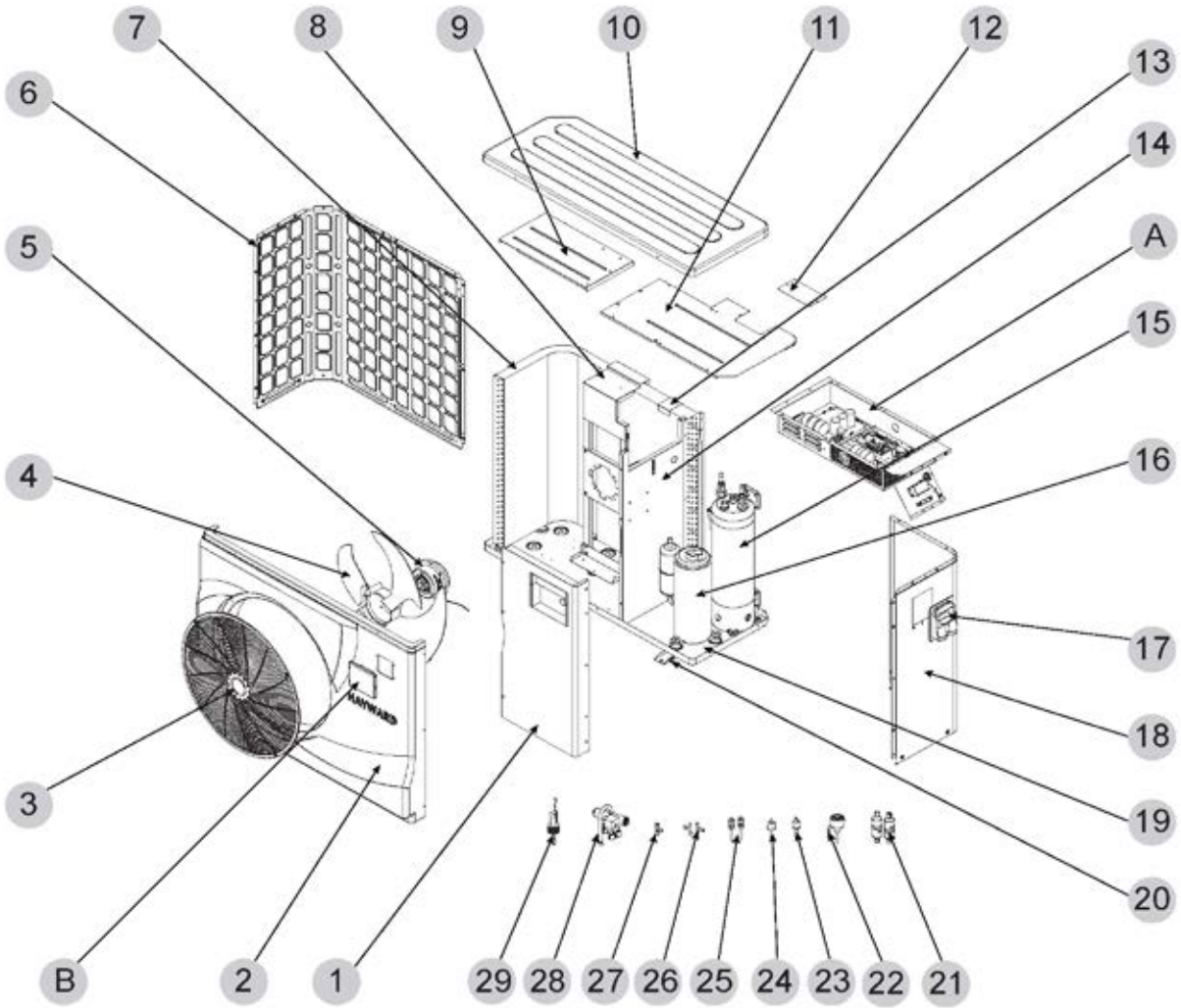
## Parts Listing

Ref. No.	Part No.	Description	Qty.
1	HPX80100139	Compressor	1
2	HPX80700454	Chassis Assembly	1
3	HPX809000000085	Front Panel	1
4	HPX72200516	LED206	1
5	HPX20000-220369	Fan Net	1
6	HPX20000-270004	Axial Fan Blade	1
7	HPX20000-330132	Fan Motor	1
8	HPX807000000727	Left Side Panel	1
9	HPX80600044	Finned Heat Exchanger	1
10	HPX80715865	Support Plate	1
11	HPX301090-20080006	Top Cover	1
12	HPX80718435	Motor Bracket Assembly	1
13	HPX80723121	Electrical Box Cover	1
14	HPX82500021	Reactor	1
15	HPX80721065	Right Side Panel	1
16	HPX32009-220029	Junction Box Body	1
17	HPX72300016	Titanium Tube Heat Exchanger	1
18	HPX80715858	Middle Baffle	1
19	HPX807000001307	Connect the Board Assembly	1
20	HPX2000-1460	Three Links	1
21	HPX20000-140150	Needle Valve	1
22	HPX20000-360157	Low Pressure Switch	1
23	HPX2001-3605	High Pressure Switch	1
24	HPX2000-1499	Filter	2
25	HPX83000068	Flow Switch	1
26	HPX2004-1437	Four-Way Valve	1
27	HPX20000-360006	AC Contactor	1
28	HPX20000-360297	Relay	1
29	HPX20000-390231	5-Position Terminal Block	1
30	HPX20000-390047	Terminal Block	1
31	HPX20000-390046	Terminals	1
32	HPX20000-390049	Terminals	1
33	HPX2000-3909	2-Position Terminal Block	2
34	HPX722000000011	Driver Board	1
35	HPX80715860	Electrical Box Assembly	1

# HP8oCLEE1

## HEAT PUMP REPLACEMENT PARTS

### Parts Diagram - HP80CLEE1



## Parts Listing

Ref. No.	Part No.	Description	Qty.
1	807000001308	Support Plate	1
2	809000000463	Front Panel	1
3	20000-220338	Plastic Fan Net	1
4	301030-00000003	Axial Flow Fan Blade	1
5	20000-330309	DC Motor	1
6	807000000706	Back Net	1
7	80601367	Finned Tube Heat Exchanger	1
8	80712877	Motor Bracket	1
9	80713855	Left Upper Panel	1
10	80900076	Top Cover	1
11	80723024	Electrical Box Cover	1
12	807000000377	Connecting Plate	1
13	35012-210121	Fixed Block	1
14	807000000376	Middle Plate	1
15	72300134	Titanium Heat Exchanger	1
16	80100069	Compressor	1
17	32009-220029	Wiring Box	1
18	807000004262	Right Plate	1
19	807000004264	Chassis	1
20	20000-390176	Ground Ring Terminal	1
21	2004-1444	Filter	2
22	20000-140575	Electronic Expansion Valve	1
23	20000-360157	Low Pressure Switch	1
24	2001-3605	High Pressure Switch	1
25	20000-140150	Needle Valve	1
26	2000-1460	Tee-Joints	2
27	304030-00000002	Tee-Joints	1
28	2004-1437	Four-Way Valve	1
29	83000012	Water Flow Switch	1
30	80718249	Electrical Box	1
31	82300341	Phase Inverter Driver	1
32	80713856	Electric Box Scaleboard	1
33	72200463	MXL303 User Interface	1
34	20000-360297	Relay	1
35	82300342	Filter Plate	1
36	20000-360006	AC Contactor	1
37	2000-3909	2-Position Wire Holder	1
38	20000-390231	5-Position Wire Holder	1
39	-	2-Position Wire Holder	1
40	301090-00000013	Waterproof Box	1
41	72200516	LED206 User Interface	1





# Universal HC Series Small Footprint Heater

REPLACEMENT PARTS

Heating

## Parts Listing

Ref. No.	Part No.	Description	Ctn. Qty.
1	HDXFTOP001	Cabinet Top	1
2	HDXFCAP001	Control Access Panel Assembly	1
3	HDXFHCC001	Header Controls Cover	1
4	HDXFWTP001	Water Side Trim Panels	1
5	HDXFBOT001	Cabinet Base	1
6	HDXFEXB001	Exhaust Box Assembly	1
7	HDXFICBRD001	Ignition Control Board	30
8	HDXFUIBRD001	Display Board and Ribbon Cable	30
9	FDXLFWP1930	Field Wiring Panel (Fuse Board)	30
10	FDXALTER1931	Thermistor	25
11	HDXFDPS400	Differential Pressure Switch	16
12	IDXL2TRF1930	Transformer	10
13	FDXLWPS1931	Water Pressure Switch	25
14	HDXFHLI400	HDF High Limit Kit (HDF400)	1
	HDXFHLI275	HDF High Limit Kit (HDF275)	1
15	HDXFIGFS002	Ignitor and Flame Sensor	1
16	FDXLEGL1930	Exhaust Gas Temperature Limit	25
17	HDXFGSV001	Gas Valve	30
18	HDXFMAN001	Gas Manifold	1
19	HDXFBWR400	Combustion Blower (HDF400)	1
	HDXFBWR275	Combustion Blower (HDF275)	1
20	HDXFMXN400	Natural Gas Fuel/Air Mixer (HDF400)	25
	HDXFMXN275	Natural Gas Fuel/Air Mixer (HDF275)	1
	HDXFMXP400	Propane Fuel/Air Mixer (HDF400)	25
	HDXFMXP275	Propane Fuel/Air Mixer (HDF275)	25
21	HDXFBRN001	Burner	1
22	HDXFEXP001	Exhaust Pipe Assembly	1
23	HDXFIOH001	HDF Inlet/Outlet Header Kit	1
24	HDXFVHD001	V-Header Assembly	1
25	CHXPLG1930	Pressure Relief Threaded Plug	25
26	SPX4000FG	Drain Plug With O-Ring	50
27	HDXFHXA400	HDF Combustion Chamber Replacement Kit (HDF400)	1
	HDXFHXA275	HDF Combustion Chamber Replacement Kit	1
28	HDXFBSGK400	Gasket Kit, Blower/Burner	25
<b>Kits Not Shown in Diagram</b>			
—	HDXFWHA001	Wiring Harness Kit, Complete	20
—	HDXFHDW001	HDF Header Hardware Kit	16
—	SPX3200UNKIT	Union Flange Kit	10
—	HDXFORK001	HDF Header O-Ring Kit	25
—	FDXLVSJ1930	Voltage Selector Jumper	—
—	FDXLFSK1930	Fuse Service Kit	25
—	FDXLFKF30	Fuse Kit, 3.0A, for Field Wiring Panel (Qty 10)	25
—	FDXLFSKC30	Fuse Kit, 3.0A, for Field Wiring Panel (Qty 10)	25
—	HDXFEAK001	Electrical Accessory Kit	16
—	HDXFTUB001	Silicone Tubing Kit	1
—	HDXFHFA004	Exhaust Vent Adapter	1
—	HDXFINVNT400	Direct Vent Accessory Kit	1
—	HDXFINVNT275	Direct Vent Accessory Kit	1
—	HDXFHIALT400	High Altitude Installation Kit	25

# Literature Order Center

LITERATURE MATERIALS

## Did You Know You Can Order Literature Online?

Hayward Canada Literature Order Center

### WHAT IS THE LITERATURE ORDER CENTER?

It's a new feature on the Hayward website which allows our customers to directly order literature and have it sent to a location of your choice.

### GREAT! HOW DO I START?

Visit the Literature page on Haywardpool.ca to find a link to the order center - or visit <https://online.hayward-pool.ca> - then log-in with your credentials. If you do not have an account, please register as a Pool Professional by clicking on 'Register' from the top right on the homepage. Fill out the form with your information and click 'sign up'. You will be notified when your new account is ready to use.

### HOW DO I PLACE AN ORDER?

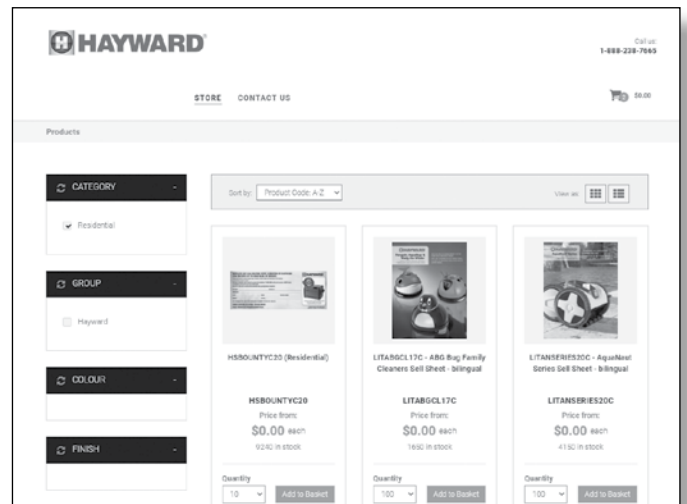
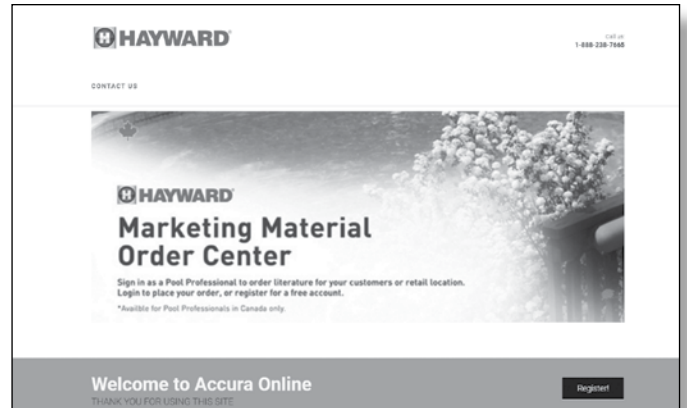
Select the Literature Type from the "Store":

- Product Literature (Residential & Commercial)
- Rebate Coupons & Countercards
- Buyer's Guide

Follow the prompts to complete your marketing material order.

### WHAT ARE THE ADVANTAGES OF USING THE ORDER CENTER?

Aside from being able to quickly order what you need, the portal is open for orders 24 hours a day, 7 days a week.



Visit [Online.hayward-pool.ca](https://online.hayward-pool.ca), or scan the QR Code, to try out the Marketing Material Order Center. If you have any questions, please contact your local Hayward Sales Representative.





---

## Terms & Conditions of Sale

---

**ORDERING:** To insure prompt and proper shipment, please order by catalog number and description. Hayward reserves the right to consider each order, or addition, as separate and subject separately to the terms and condition as herein outlined.

**SHIPMENTS:** All are F.O.B. Oakville, ON. Freight allowed on shipments with a net value per SHIPPING POLICY to one destination, within continental limits of Canada. Prices are net prices in Canadian currency and include Canadian customs duty and brokerage when applicable.

**CLAIMS:** All claims must be made within ten days after receipt of merchandise. If any shipment is received in a damaged condition your claim must be filed with the delivering carrier and noted on the freight bill before you accept the merchandise.

**LIMITED WARRANTY:** To all original purchasers of its products, Hayward Pool Products Canada Inc. warrants its products free from defects in materials and workmanship for a period of one year from the date of purchase, unless otherwise specified on the individual product warranty. Products which fail or become defective during the warranty period, except as a result of freezing, accident, negligence, improper installation, use or care, shall be repaired or replaced at our option without charge within 90 days of receipt of defective product, barring unforeseen delays. Hayward shall not be responsible for cartage, removal and/or reinstallation labour, or any other such costs incurred in obtaining warranty replacements.

**RETURNS:** All returns are subject to out written approval, and must be accompanied by a "Returned Goods Authorization" form obtained from Hayward Pool Products Inc., prior to shipment. Unauthorized returns will not be accepted. Freight must be prepaid. Material returned for credit, if in original condition and resalable is subject to 20% handling charge.

**TERMS:** Terms as quoted, shall apply. Shipments will be billed at the prices in effect as the time of shipment. A 1 1/2% per month (18% annual rate) service charge will be applied to all past due invoices.

**TAXES:** Any federal or provincial excise, sales use, consumption or similar tax for which we may be liable on any will be charged to and paid by the buyer. Buyer is responsible for furnishing proof of exemption.

Hayward reserves the right to change product prices at any time without prior notice.

**MINIMUM BILLING CHARGE: \$250.00 NET**  
**PRICES AND PRODUCTS ARE SUBJECT TO CHANGE WITHOUT NOTICE.**

Hayward Pool Products Canada, Inc.  
2880 Plymouth Drive, Oakville, ON L6H 5R4  
1-888-238-7665 | Haywardpool.ca



# WE BUILD BETTER.

» [haywardpool.ca](http://haywardpool.ca) » 1-888-238-7665

Pumps » Filters » Heaters » Sanitization » Automation » Lighting » Water Features » Cleaners » White Goods

Hayward, Hayward & Design, the H logo, Expert Line, Hayward We Build Better, and We Build Better, are registered trademarks of Hayward Industries, Inc. All other trademarks not owned by Hayward are the property of their respective owners. Hayward is not in any way affiliated with or endorsed by those third parties. © 2024 Hayward Industries, Inc.

LITPLC24C-2 2024 ADDENDUM



We Build Better.®