

TOGETHER BUILDING AN EVEN BETTER 2023

RAY DENKEWICZ
Managing Director -
Hayward IMG

It seems like only yesterday that we were ushering in 2022 and here we are now 1 year later.

The past year has gone by much too fast but, in some regards, that is welcome as out-of-control inflation, raw material scarcities and worldwide shipping delays seem to be mostly behind us now.

We are particularly proud to be your partner as we weathered, together, what was a very challenging year. We can clearly see that the world is settling into a new normal and 2023 should be a much better year for all of us.

Looking ahead, most economies seem to be stabilizing as inflation has slowed down and COVID-19 policies are allowing most businesses to get back to well, business!

We are keen on **Building a Better 2023** for you Together with our expanded team, having

hired additional people to service your needs in both the front office and in the field. We welcome our new team members based closer to you:



Georges Narchi, -
DSM for Middle East based in Cairo, Egypt.



Justin Khor, -
DSM for Asia based in Kuala Lumpur, Malaysia.

We have also significantly increased our production capacities and secured supplies of long lead-time items to ensure more prompt deliveries to you.

We look forward to working with you and helping your business grow to exceed your expectations. We fully appreciate your support and your partnership.

From the entire Hayward IMG family, we would like to wish you a prosperous, healthy and **Happy New Year!**

Now available to download onto your device

2023 Buyer's Guide

The **ULTIMATE** reference for Hayward® US product offering and the parts lists.



Use this guide as your main reference when ordering both finished goods and replacement parts. If your equipment is no longer in the guide, the parts may still be available.



Scan or click the QR Code to access or download the Buyer's Guide.

If you need hard copies please contact your Hayward distributor, dealer or email: **img@hayward.com**

Hayward® Original Replacement Parts

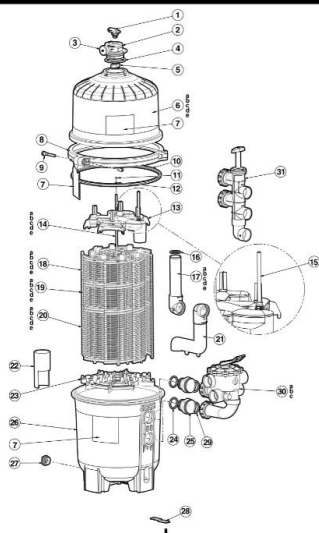
– The Key to Long Lasting Performance

The high-quality equipment built by Hayward® can last many years. Parts of the equipment may need to be replaced for several reasons: the parts wear out during the course of operation and reach the end of their lives, sudden abnormal operating conditions; and incorrect installation or improper operating conditions.

ProGrid®

VERTICAL GRID D.E. FILTER SERIES REPLACEMENT PARTS

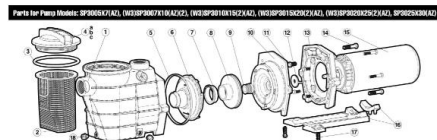
Parts Diagram



Hayward® Replacement Parts are manufactured and sourced in the same way as the original equipment and distributors around the world carry an extensive inventory of replacement parts.

Super II®

SP3000X PUMP SERIES (MAX-RATED) REPLACEMENT PARTS

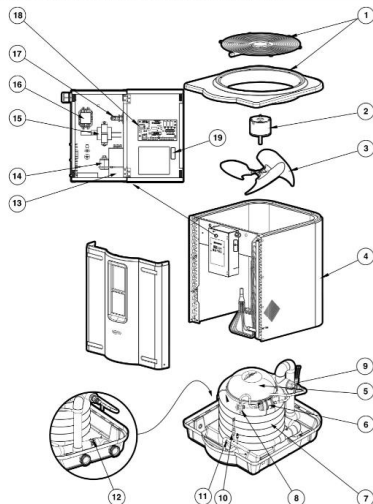


From replacement impellers and strainer baskets for pumps, filter internals, specialized parts

HeatPro/Summit XL

HEAT PUMP REPLACEMENT PARTS

Parts Diagram: HP11001, HP11001C, HP11001T, HP11201, HP11201C, HP11201T, HP11201C

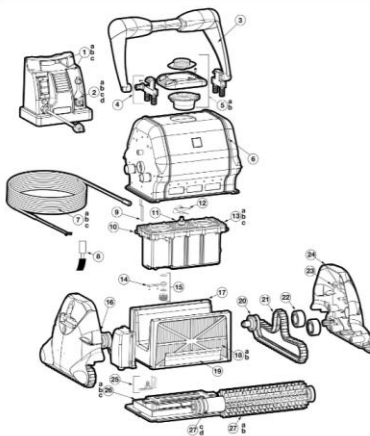


for gas heaters and heat pumps, replacement salt cells, right to the parts required for multiport valves and robotic cleaners, we carry them all.

TigerShark®, TigerShark® QC, TigerShark® Plus

REPLACEMENT PARTS

Parts Diagram



HaywardIMG also supplies frequently requested spare parts for selective A.O.Smith motors used with Hayward pumps like fans, switches and capacitors; and parts required for Coates heaters and Amerec Steam Generators.

TurboCell® S3

- New Clear Salt Cell

The new **Hayward TurboCell® S3 Clear Cells** are compatible with all AquaRite® 900 or AquaRite S3 Salt Chlorination Systems and Omni® automation systems.



With the new design the cells have reduced scaling and head loss that help with saving water and energy. The transparent design makes inspection easier.

The S3 Clear Cells are part of the Expert Line® and are only available through your local pool professional.

An authentication feature prevents the use of knock off cells. This ensures the proper functioning of your AquaRite system and protects dealer/distributor revenue.

The HaywardIMG customer service team can assist you find the parts needed for your Hayward equipment.



A price change went into effect **December 1st, 2022**. Check with your Hayward representative or your distributor for any special programs that may help ease the effects of the price action.

» For more information on the products featured in this NEWPLASH, email img@hayward.com or fax +1.909.444.0327 » hayward.com

Hayward, Hayward & Design and the H logo are registered trademarks of Hayward Industries, Inc. All other trademarks not owned by Hayward are the property of their respective owners. Hayward is not in any way affiliated with or endorsed by those third parties. © 2021 Hayward Industries, Inc.



We Build Better.™

International Marketing Group
8175 W.Buckeye Rd. Phoenix AZ 85043 USA